

LM78S40 Universal Switching Regulator Subsystem

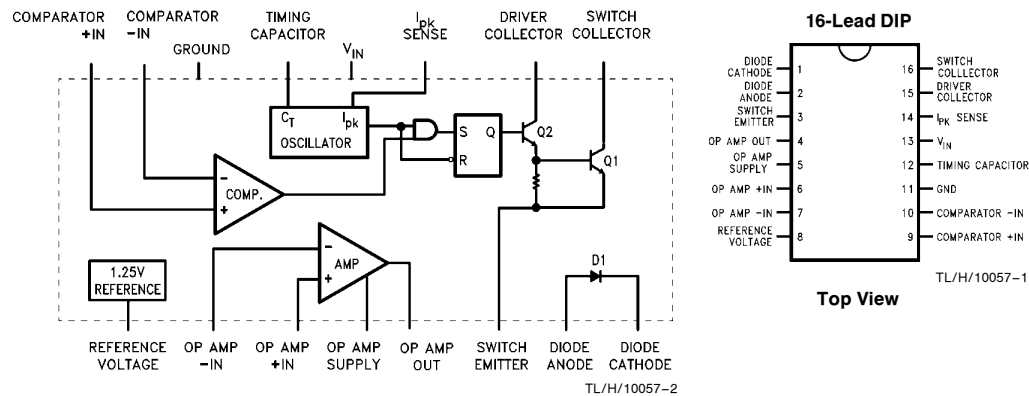
General Description

The LM78S40 is a monolithic regulator subsystem consisting of all the active building blocks necessary for switching regulator systems. The device consists of a temperature compensated voltage reference, a duty-cycle controllable oscillator with an active current limit circuit, an error amplifier, high current, high voltage output switch, a power diode and an uncommitted operational amplifier. The device can drive external NPN or PNP transistors when currents in excess of 1.5A or voltages in excess of 40V are required. The device can be used for step-down, step-up or inverting switching regulators as well as for series pass regulators. It features wide supply voltage range, low standby power dissipation, high efficiency and low drift. It is useful for any stand-alone, low part count switching system and works extremely well in battery operated systems.

Features

- Step-up, step-down or inverting switching regulators
- Output adjustable from 1.25V to 40V
- Peak currents to 1.5A without external transistors
- Operation from 2.5V to 40V input
- Low standby current drain
- 80 dB line and load regulation
- High gain, high current, independent op amp
- Pulse width modulation with no double pulsing

Block and Connection Diagrams



Ordering Information

| Part Number | NS Package | Temperature Range |
|--------------|------------------|-------------------|
| LM78S40J/883 | J16A Ceramic DIP | -55°C to +125°C |
| LM78S40N | N16E Molded DIP | -40°C to +125°C |
| LM78S40CN | N16E Molded DIP | 0°C to +70°C |

Absolute Maximum Ratings

If Military/Aerospace specified devices are required, please contact the National Semiconductor Sales Office/Distributors for availability and specifications.

| | |
|--|-----------------|
| Storage Temperature Range | |
| Ceramic DIP | −65°C to +175°C |
| Molded DIP | −65°C to +150°C |
| Operating Temperature Range | |
| Extended (LM78S40J) | −55°C to +125°C |
| Industrial (LM78S40N) | −40°C to +125°C |
| Commercial (LM78S40CN) | 0°C to +70°C |
| Lead Temperature | |
| Ceramic DIP (Soldering, 60 sec.) | 300°C |
| Molded DIP (Soldering, 10 sec.) | 265°C |
| Internal Power Dissipation (Notes 1, 2) | |
| 16L-Ceramic DIP | 1.50W |
| 16L-Molded DIP | 1.04W |
| Input Voltage from V_{IN} to GND | 40V |
| Input Voltage from V^+ (Op Amp) to GND | 40V |

| | |
|--|--------------------|
| Common Mode Input Range (Comparator and Op Amp) | −0.3 to V^+ |
| Differential Input Voltage (Note 3) | ±30V |
| Output Short Circuit Duration (Op Amp) | Continuous |
| Current from V_{REF} | 10 mA |
| Voltage from Switch Collectors to GND | 40V |
| Voltage from Switch Emitters to GND | 40V |
| Voltage from Switch Collectors to Emitter | 40V |
| Voltage from Power Diode to GND | 40V |
| Reverse Power Diode Voltage | 40V |
| Current through Power Switch | 1.5A |
| Current through Power Diode | 1.5A |
| ESD Susceptibility | (to be determined) |

LM78S40

Electrical Characteristics

T_A = Operating temperature range, $V_{IN} = 5.0V$, $V^+ (Op Amp) = 5.0V$, unless otherwise specified. (Note 4)

| Symbol | Parameter | Conditions | Min | Typ | Max | Units |
|--------------------------------|---|--|-------|-------|-------|---------------|
| GENERAL CHARACTERISTICS | | | | | | |
| I_{CC} | Supply Current (Op Amp Disconnected) | $V_{IN} = 5.0V$ | | 1.8 | 3.5 | mA |
| | | $V_{IN} = 40V$ | | 2.3 | 5.0 | mA |
| I_{CC} | Supply Current (Op Amp Connected) | $V_{IN} = 5.0V$ | | | 4.0 | mA |
| | | $V_{IN} = 40V$ | | | 5.5 | mA |
| REFERENCE SECTION | | | | | | |
| V_{REF} | Reference Voltage | $I_{REF} = 1.0 mA$ Extend $-55^\circ C < T_A < +125^\circ C$, Comm $0 < T_A < +70^\circ C$, Indus $-40^\circ C < T_A < +85^\circ C$ | 1.180 | 1.245 | 1.310 | V |
| $V_{R LINE}$ | Reference Voltage Line Regulation | $V_{IN} = 3.0V$ to $V_{IN} = 40V$, $I_{REF} = 1.0 mA$, $T_A = 25^\circ C$ | | 0.04 | 0.2 | mV/V |
| $V_{R LOAD}$ | Reference Voltage Load Regulation | $I_{REF} = 1.0 mA$ to $I_{REF} = 10 mA$, $T_A = 25^\circ C$ | | 0.2 | 0.5 | mV/mA |
| OSCILLATOR SECTION | | | | | | |
| I_{CHG} | Charging Current | $V_{IN} = 5.0V$, $T_A = 25^\circ C$ | 20 | | 50 | μA |
| I_{CHG} | Charging Current | $V_{IN} = 40V$, $T_A = 25^\circ C$ | 20 | | 70 | μA |
| I_{DISCHG} | Discharge Current | $V_{IN} = 5.0V$, $T_A = 25^\circ C$ | 150 | | 250 | μA |
| I_{DISCHG} | Discharge Current | $V_{IN} = 40V$, $T_A = 25^\circ C$ | 150 | | 350 | μA |
| V_{OSC} | Oscillator Voltage Swing | $V_{IN} = 5.0V$, $T_A = 25^\circ C$ | | 0.5 | | V |
| t_{on}/t_{off} | Ratio of Charge/ Discharge Time | | | 6.0 | | $\mu s/\mu s$ |

LM78S40

Electrical Characteristics (Continued)

T_A = Operating Temperature Range, V_{IN} = 5.0V, V^+ (Op Amp) = 5.0V, unless otherwise specified. (Note 4)

| Symbol | Parameter | Conditions | Min | Typ | Max | Units |
|------------------------------|--------------------------------|--|---------------------|------|--------------|------------------|
| CURRENT LIMIT SECTION | | | | | | |
| V_{CLS} | Current Limit Sense Voltage | $T_A = 25^\circ\text{C}$ | 250 | | 350 | mV |
| OUTPUT SWITCH SECTION | | | | | | |
| V_{SAT1} | Output Saturation Voltage 1 | $I_{SW} = 1.0\text{A}$ (Figure 1) | | 1.1 | 1.3 | V |
| V_{SAT2} | Output Saturation Voltage 2 | $I_{SW} = 1.0\text{A}$ (Figure 2) | | 0.45 | 0.7 | V |
| h_{FE} | Output Transistor Current Gain | $I_C = 1.0\text{A}$, $V_{CE} = 5.0\text{V}$, $T_A = 25^\circ\text{C}$ | | 70 | | |
| I_L | Output Leakage Current | $V_O = 40\text{V}$, $T_A = 25^\circ\text{C}$ | | 10 | | nA |
| POWER DIODE | | | | | | |
| V_{FD} | Forward Voltage Drop | $I_D = 1.0\text{A}$ | | 1.25 | 1.5 | V |
| I_{DR} | Diode Leakage Current | $V_D = 40\text{V}$, $T_A = 25^\circ\text{C}$ | | 10 | | nA |
| COMPARATOR | | | | | | |
| V_{IO} | Input Offset Voltage | $V_{CM} = V_{REF}$ | | 1.5 | 15 | mV |
| I_{IB} | Input Bias Current | $V_{CM} = V_{REF}$ | | 35 | 200 | nA |
| I_{IO} | Input Offset Current | $V_{CM} = V_{REF}$ | | 5.0 | 75 | nA |
| V_{CM} | Common Mode Voltage Range | $T_A = 25^\circ\text{C}$ | 0 | | $V_{IN} - 2$ | V |
| PSRR | Power Supply Rejection Ratio | $V_{IN} = 3.0\text{V to } 40\text{V}$, $T_A = 25^\circ\text{C}$ | 70 | 96 | | dB |
| OPERATIONAL AMPLIFIER | | | | | | |
| V_{IO} | Input Offset Voltage | $V_{CM} = 2.5\text{V}$ | | 4.0 | 15 | mV |
| I_{IB} | Input Bias Current | $V_{CM} = 2.5\text{V}$ | | 30 | 200 | nA |
| I_{IO} | Input Offset Current | $V_{CM} = 2.5\text{V}$ | | 5.0 | 75 | nA |
| A_{VS}^+ | Voltage Gain $^+$ | $R_L = 2.0\text{ k}\Omega$ to GND; $V_O = 1.0\text{V to } 2.5\text{V}$, $T_A = 25^\circ\text{C}$ | 25 | 250 | | V/mV |
| A_{VS}^- | Voltage Gain $-$ | $R_L = 2.0\text{ k}\Omega$ to V^+ (Op Amp) $V_O = 1.0\text{V to } 2.5\text{V}$, $T_A = 25^\circ\text{C}$ | 25 | 250 | | V/mV |
| V_{CM} | Common Mode Voltage Range | $T_A = 25^\circ\text{C}$ | 0 | | $V_{CC} - 2$ | V |
| CMR | Common Mode Rejection | $V_{CM} = 0\text{V to } 3.0\text{V}$, $T_A = 25^\circ\text{C}$ | 76 | 100 | | dB |
| PSRR | Power Supply Rejection Ratio | V^+ (Op Amp) = $3.0\text{V to } 40\text{V}$, $T_A = 25^\circ\text{C}$ | 76 | 100 | | dB |
| I_O^+ | Output Source Current | $T_A = 25^\circ\text{C}$ | 75 | 150 | | mA |
| I_O^- | Output Sink Current | $T_A = 25^\circ\text{C}$ | 10 | 35 | | mA |
| SR | Slew Rate | $T_A = 25^\circ\text{C}$ | | 0.6 | | V/ μs |
| V_{OL} | Output Voltage LOW | $I_L = -5.0\text{ mA}$, $T_A = 25^\circ\text{C}$ | | | 1.0 | V |
| V_{OH} | Output Voltage High | $I_L = 50\text{ mA}$, $T_A = 25^\circ\text{C}$ | V^+ (Op Amp) - 3V | | | V |

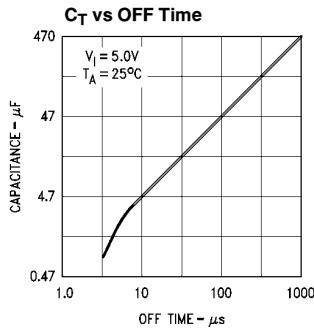
Note 1: $T_{J\text{ Max}} = 150^\circ\text{C}$ for the Molded DIP, and 175°C for the Ceramic DIP.

Note 2: Ratings apply to ambient temperature at 25°C . Above this temperature, derate the 16L-Ceramic DIP at $10\text{ mW}/^\circ\text{C}$, and the 16L-Molded DIP at $8.3\text{ mW}/^\circ\text{C}$.

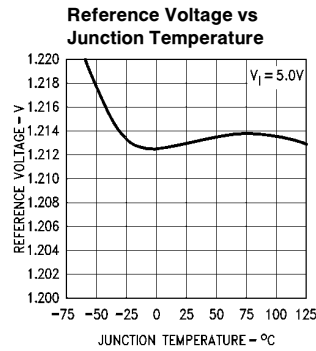
Note 3: For supply voltages less than 30V, the absolute maximum voltage is equal to the supply voltage.

Note 4: A military RETS specification is available on request. At the time of printing, the LM78S40 RETS specification complied with the Min and Max limits in this table. The LM78S40J may also be procured as a Standard Military Drawing.

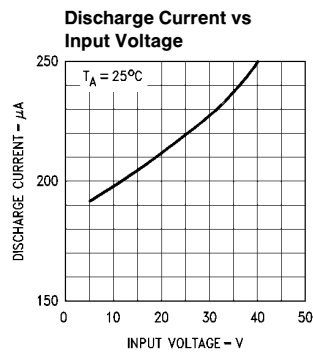
Typical Performance Characteristics



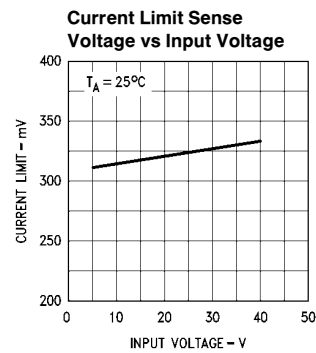
TL/H/10057-6



TL/H/10057-7



TL/H/10057-8



TL/H/10057-9

Design Formulas

| Characteristic | Step-Down | Step-Up | Inverting | Units |
|----------------------------------|--|--|--|---------------|
| $\frac{t_{on}}{t_{off}}$ | $\frac{V_O + V_D}{V_I - V_{SAT} - V_O}$ | $\frac{V_O + V_D - V_I}{V_I - V_{SAT}}$ | $\frac{ V_O + V_D}{V_I - V_{SAT}}$ | |
| $(t_{on} + t_{off}) \text{ Max}$ | $\frac{1}{f_{Min}}$ | $\frac{1}{f_{Min}}$ | $\frac{1}{f_{MIN}}$ | μs |
| C_T | $4 \times 10^{-5} t_{on}$ | $4 \times 10^{-5} t_{on}$ | $4 \times 10^{-5} t_{on}$ | μF |
| I_{pk} | $2 I_{O \text{ Max}}$ | $2 I_{O \text{ Max}} \cdot \frac{t_{on} + t_{off}}{t_{off}}$ | $2 I_{O \text{ Max}} \cdot \frac{t_{on} + t_{off}}{t_{off}}$ | A |
| L_{Min} | $\left(\frac{V_I - V_{SAT} - V_O}{I_{pk}} \right) t_{on \text{ Max}}$ | $\left(\frac{V_I - V_{SAT}}{I_{pk}} \right) t_{on \text{ Max}}$ | $\left(\frac{V_I - V_{SAT}}{I_{pk}} \right) t_{on \text{ Max}}$ | μH |
| R_{SC} | $0.33 / I_{pk}$ | $0.33 / I_{pk}$ | $0.33 / I_{pk}$ | Ω |
| C_O | $\frac{I_{pk} (t_{on} + t_{off})}{8 V_{ripple}}$ | $\approx \frac{I_O}{V_{ripple}} \cdot t_{on}$ | $\approx \frac{I_O}{V_{ripple}} \cdot t_{on}$ | μF |

Note: V_{SAT} = Saturation voltage of the switching element.
 V_D = Forward voltage of the flyback diode.

Functional Description

SWITCHING FREQUENCY CONTROL

The LM78S40 is a variable frequency, variable duty cycle device. The initial switching frequency is set by the timing capacitor. (Oscillator frequency is set by a single external capacitor and may be varied over a range of 100 Hz to 100 kHz). The initial duty cycle is 6:1. This switching frequency and duty cycle can be modified by two mechanisms—the current limit circuitry (I_{pk} sense) and the comparator.

The comparator modifies the OFF time. When the output voltage is correct, the comparator output is in the HIGH state and has no effect on the circuit operation. If the output voltage is too high then the comparator output goes LOW. In the LOW state the comparator inhibits the turn-on of the output stage switching transistors. As long as the comparator is LOW the system is in OFF time. As the output current rises the OFF time decreases. As the output current nears its maximum the OFF time approaches its minimum value. The comparator can inhibit several ON cycles, one ON cycle or any portion of an ON cycle. Once the ON cycle has begun the comparator cannot inhibit until the beginning of the next ON cycle.

The current limit modifies the ON time. The current limit is activated when a 300 mV potential appears between lead 13 (V_{CC}) and lead 14 (I_{pk}). This potential is intended to result when designed for peak current flows through R_{SC} . When the peak current is reached the current limit is turned on. The current limit circuitry provides for a quick end to ON time and the immediate start of OFF time.

Generally the oscillator is free running but the current limit action tends to reset the timing cycle.

Increasing load results in more current limited ON time and less OFF time. The switching frequency increases with load current.

USING THE INTERNAL REFERENCE, DIODE, AND SWITCH

The internal 1.245V reference (pin 8) must be bypassed, with 0.1 μ F directly to the ground pin (pin 11) of the LM78S40, to assure its stability.

V_{FD} is the forward voltage drop across the internal power diode. It is listed on the data sheet as 1.25V typical, 1.5V maximum. If an external diode is used, then its own forward voltage drop must be used for V_{FD} .

V_{SAT} is the voltage across the switch element (output transistors Q1 and Q2) when the switch is closed or ON. This is listed on the data sheet as Output Saturation Voltage.

“Output saturation voltage 1” is defined as the switching element voltage for Q2 and Q1 in the Darlington configuration with collectors tied together. This applies to Figure 1, the step down mode.

“Output saturation voltage 2” is the switching element voltage for Q1 only when used as a transistor switch. This applies to Figure 2, the step up mode.

For the inverting mode, Figure 3, the saturation voltage of the external transistor should be used for V_{SAT} .

Typical Applications

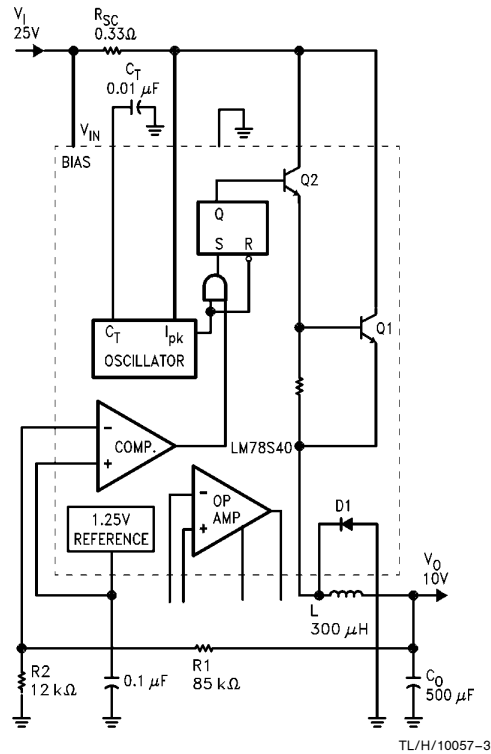


FIGURE 1. Typical Step-Down Regulator and Operational Performance ($T_A = 25^\circ\text{C}$)

| Characteristic | Condition | Typical Value |
|--------------------|---|---------------|
| Output Voltage | $I_O = 200 \text{ mA}$ | 10V |
| Line Regulation | $20\text{V} \leq V_I \leq 30\text{V}$ | 1.5 mV |
| Load Regulation | $5.0 \text{ mA} \leq I_O \leq 300 \text{ mA}$ | 3.0 mV |
| Max Output Current | $V_O = 9.5\text{V}$ | 500 mA |
| Output Ripple | $I_O = 200 \text{ mA}$ | 50 mV |
| Efficiency | $I_O = 200 \text{ mA}$ | 74% |
| Standby Current | $I_O = 200 \text{ mA}$ | 2.8 mA |

Note A: For $I_O \geq 200 \text{ mA}$ use external diode to limit on-chip power dissipation.

Typical Applications (Continued)

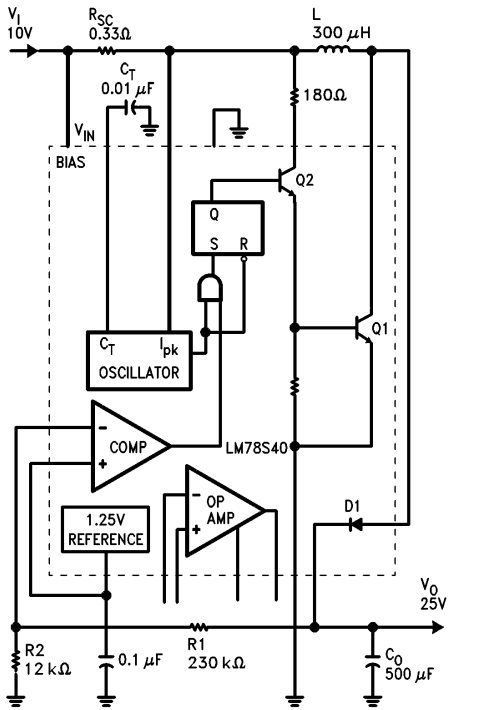


FIGURE 2. Typical Step-Up Regulator and Operational Performance ($T_A = 25^\circ\text{C}$)

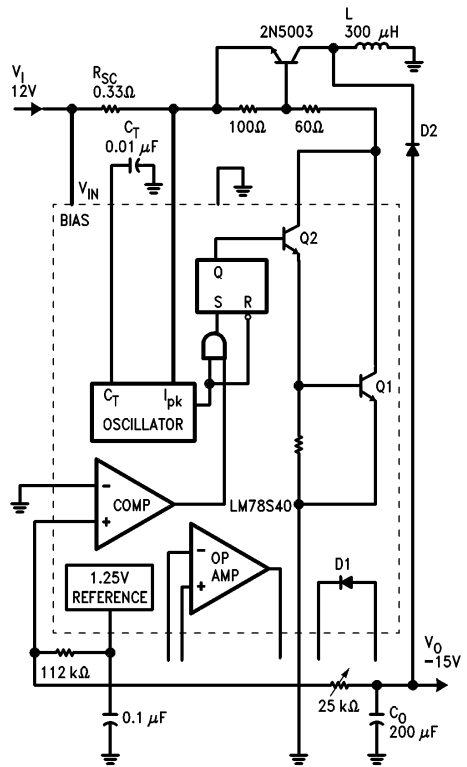


FIGURE 3. Typical Inverting Regulator and Operational Performance ($T_A = 25^\circ\text{C}$)

| Characteristic | Condition | Typical Value |
|--------------------|---|---------------|
| Output Voltage | $I_O = 50 \text{ mA}$ | 25V |
| Line Regulation | $5.0\text{V} \leq V_I \leq 15\text{V}$ | 4.0 mV |
| Load Regulation | $5.0 \text{ mA} \leq I_O \leq 100 \text{ mA}$ | 2.0 mV |
| Max Output Current | $V_O = 23.75\text{V}$ | 160 mA |
| Output Ripple | $I_O = 50 \text{ mA}$ | 30 mV |
| Efficiency | $I_O = 50 \text{ mA}$ | 79% |
| Standby Current | $I_O = 50 \text{ mA}$ | 2.6 mA |

| Characteristic | Condition | Typical Value |
|--------------------|---|---------------|
| Output Voltage | $I_O = 100 \text{ mA}$ | -15V |
| Line Regulation | $8.0\text{V} \leq V_I \leq 18\text{V}$ | 5.0 mV |
| Load Regulation | $5.0 \text{ mA} \leq I_O \leq 150 \text{ mA}$ | 3.0 mV |
| Max Output Current | $V_O = 14.25\text{V}$ | 160 mA |
| Output Ripple | $I_O = 100 \text{ mA}$ | 20 mV |
| Efficiency | $I_O = 100 \text{ mA}$ | 70% |
| Standby Current | $I_O = 100 \text{ mA}$ | 2.3 mA |

Typical Applications (Continued)

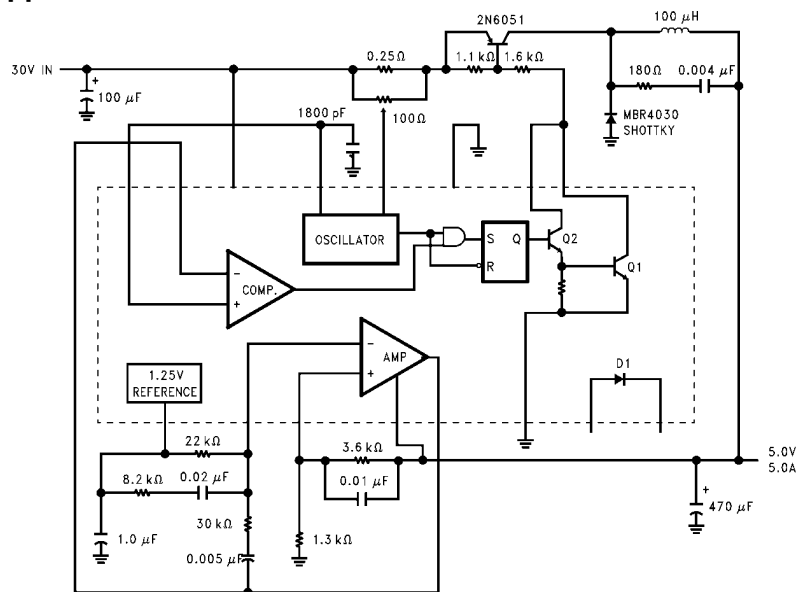
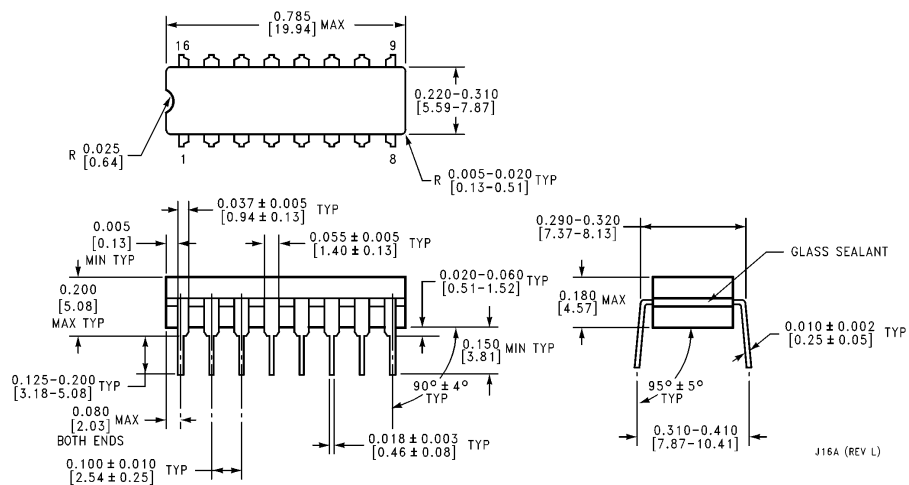


FIGURE 4. Pulse Width Modulated Step-Down Regulator ($f_{osc} = 20 \text{ kHz}$)

TL/H/10057-10

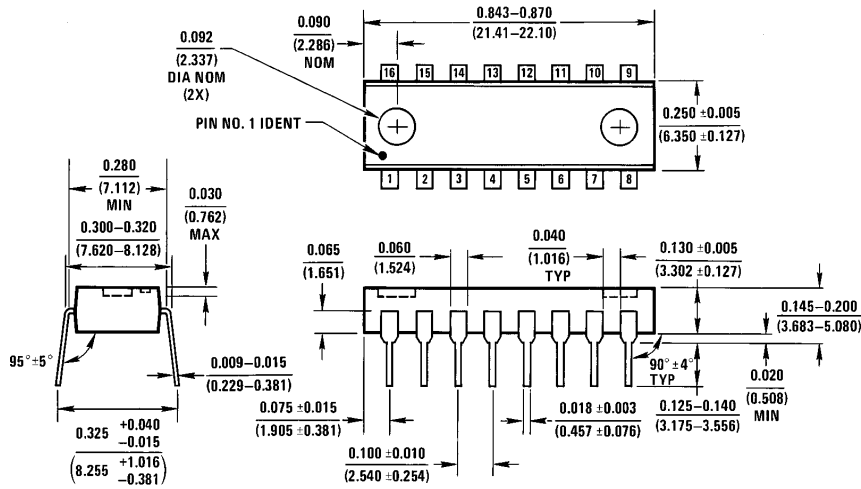
Physical Dimensions inches (millimeters)



16-Lead Ceramic Dual-In-Line Package (J)
Order Number LM78S40J/883
NS Package Number J16A

J16A (REV L)

Physical Dimensions inches (millimeters) (Continued)



16-Lead Molded Dual-In-Line Package (N)
Order Number LM78S40N or LM78S40CN
NS Package Number N16A

N16A (REV E)

LIFE SUPPORT POLICY

NATIONAL'S PRODUCTS ARE NOT AUTHORIZED FOR USE AS CRITICAL COMPONENTS IN LIFE SUPPORT DEVICES OR SYSTEMS WITHOUT THE EXPRESS WRITTEN APPROVAL OF THE PRESIDENT OF NATIONAL SEMICONDUCTOR CORPORATION. As used herein:

1. Life support devices or systems are devices or systems which, (a) are intended for surgical implant into the body, or (b) support or sustain life, and whose failure to perform, when properly used in accordance with instructions for use provided in the labeling, can be reasonably expected to result in a significant injury to the user.
2. A critical component is any component of a life support device or system whose failure to perform can be reasonably expected to cause the failure of the life support device or system, or to affect its safety or effectiveness.



National Semiconductor Corporation
 1111 West Bardin Road
 Arlington, TX 76017
 Tel: 1(800) 272-9959
 Fax: 1(800) 737-7018

National Semiconductor Europe
 Fax: (+49) 0-180-530 85 86
 Email: cnjwge@tevm2.nsc.com
 Deutsch Tel: (+49) 0-180-530 85 85
 English Tel: (+49) 0-180-532 78 32
 Français Tel: (+49) 0-180-532 93 58
 Italiano Tel: (+49) 0-180-534 16 80

National Semiconductor Hong Kong Ltd.
 19th Floor, Straight Block,
 Ocean Centre, 5 Canton Rd.
 Tsimshatsui, Kowloon
 Hong Kong
 Tel: (852) 2737-1600
 Fax: (852) 2736-9960

National Semiconductor Japan Ltd.
 Tel: 81-043-299-2309
 Fax: 81-043-299-2408

National does not assume any responsibility for use of any circuitry described, no circuit patent licenses are implied and National reserves the right at any time without notice to change said circuitry and specifications.