

## DS1802

### Dual Audio Taper Potentiometer with Push-button Control

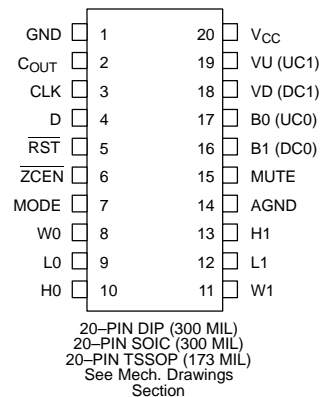
#### FEATURES

- Ultra-low-power consumption
- Operates from 3V or 5V supplies
- Two digitally controlled, 65-position potentiometers including mute
- Logarithmic resistive characteristics (1 dB per step)
- Zero-crossing detection eliminates noise caused by wiper movement
- Digital or mechanical push-button wiper control
- Serial port provides means for setting and reading both potentiometer wipers
- 20-pin SOIC and 20-pin TSSOP for surface mount applications
- Temperature:
  - Commercial: 0°C to 70°C
- Software and hardware mute

#### DESCRIPTION

The DS1802 is a dual audio taper-potentiometer having logarithmic resistive characteristics over the device range. Each potentiometer provides 65 wiper positions with a 1 dB increment per step and device mute. The DS1802 has two methods of device control which include contact closure (push-button) inputs and a 3-wire serial interface for wiper positioning. The push-button control inputs provide a simple interface for device control without the need for a CPU. While the 3-wire serial interface, using a CPU, provides the user the ability of reading or

#### PIN ASSIGNMENT



#### PIN DESCRIPTION

L0, L1	– Low End of Resistor
H0, H1	– High End of Resistor
W1, W2	– Wiper End of Resistor
V <sub>CC</sub>	– 3V/5V Power Supply Input
RST	– Serial Port Reset Input
D	– Serial Port Data Input
CLK	– Serial Port Clock Input
MODE	– Mode Select Input
UC0, UC1	– Up Control push-button Inputs
DC0, DC1	– Down Control push-button Inputs
VU, VD	– Volume-Up/Volume-Down Inputs
B0, B1	– Balance Pot-0, Pot-1 Inputs
GND	– Digital Ground
MUTE	– Mute
AGND	– Analog Ground
ZCEN	– Zero-Crossing Detect
COUT	– Cascade Output

writing exact wiper positions of the two potentiometers. The DS1802 can also be configured to operate in either independent or "stereo" modes, when using push-button control. Independent mode of operation allows for independent wiper control and stereo mode of operation provides single input control over both potentiometer wiper positions. The DS1802 is offered in commercial temperature versions. Packages for the part include a 20-pin DIP, 20-pin SOIC, and 20-pin TSSOP.

**OPERATION**

The DS1802 provides two 65-position potentiometers per package; each having a logarithmic resistive characteristic as shown in Table 1. The DS1802 can be controlled either digitally, or mechanically using a 3-wire serial interface or contact closure input, respectively. The push-button interface allows for a simple mechanical control method for incrementing or decrementing wiper position. The 3-wire serial interface is designed for CPU controlled applications and allows the potentiometer's exact wiper position to be read or written. Additionally, the DS1802 can be daisy chained for multi-device environments.

Figure 1 presents a block diagram of the DS1802. As shown, the inputs from the 3-wire serial interface and contact closure inputs drive a command/control unit. The command/control unit interprets these inputs for control of the two potentiometers.

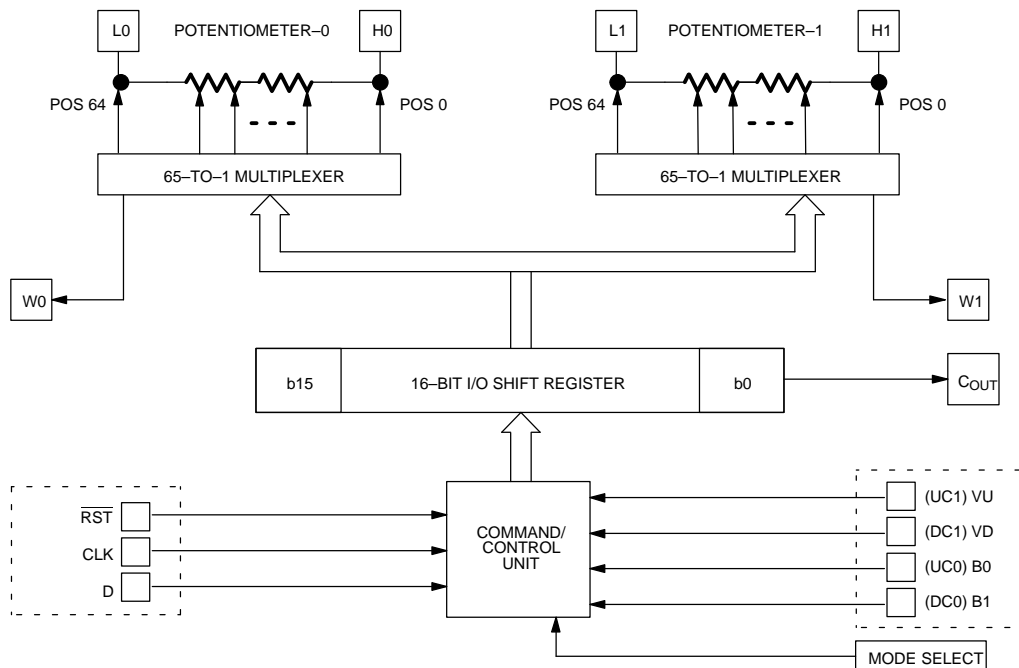
The MODE input is used for contact closure operation. This input allows the user to choose between independent mode control and stereo mode control. The MODE input is discussed in detail under the contact closure interface control.

On power-up the serial port is stable and active within 10 microseconds. The contact closure control interface inputs are active after 50 ms. The wiper position on power-up will be at position 63, the low end of the potentiometer. Position 64 is the mute level.

**RESISTANCE CHARACTERISTICS Table 1**

POSITION	OUTPUT LEVEL (dB)
0	0
1	-1
2	-2
3	-3
4	-4
5	-5
•	•
•	•
•	•
63	-63
64 (Mute)	< -90

**DS1802 BLOCK DIAGRAM Figure 1**



## CONTACT CLOSURE INTERFACE CONTROL

The DS1802 can be configured to operate from contact closure inputs sometimes referred to as push-button control. There exist a total of four physical contact closure terminals on the device package. When combined with the MODE input, these contact closure inputs provide a total of eight different contact closure functions. These eight contact closure functions are listed in Table 2.

**CONTACT CLOSURE INPUTS** Table 2

CONTACT INPUT	DESCRIPTION
UC0*	Up contact potentiometer-0
UC1*	Up contact potentiometer-1
DC0*	Down contact potentiometer-0
DC1*	Down contact potentiometer-1
VU**	Volume-up
VD**	Volume-down
B0**	Balance Pot-0
B1**	Balance Pot-1

\* independent mode control

\*\* stereo mode control

The MODE input terminal is used to select the mode of wiper control using contact closure. There exist two modes of wiper control which include independent mode control and stereo mode control. As shown in the pin assignment diagram, the contact closure inputs share pins. Input functionality is determined by the state of the MODE input at power-up.

Independent mode control allows the user to independently control each potentiometer's wiper position. For independent mode control, the MODE input should be in a high state. For stereo mode control, the MODE input should be in a low state. The input should always be tied to a well defined logic state.

The contact closure inputs which affect independent mode control include UC0, UC1, DC0, and DC1. As outlined in Table 2, the UC0 and UC1 inputs are used to move the potentiometer's wipers towards the high-end of the potentiometer (H0, H1) terminals. And the DC0 and DC1 inputs control movement towards the low-end terminals (L0, L1). Note that UC0 and DC0 control poten-

tiometer-0 wiper movement while UC1 and DC1 control potentiometer-1 movement.

An additional feature of the contact closure interface is the ability to control both directions of wiper movement with only the UC0 and UC1 contact closure inputs. This feature is referred to as single push-button operation. Figure 2(a) and (b) illustrates both configurations for single push-button and dual push-button operation.

## Stereo Mode Control

Stereo mode control allows for the simultaneous positioning of both potentiometer wipers from a single control input. Stereo mode control is entered when the MODE select input is in a low state at power-up. The functionality available when operating in stereo mode control includes: 1) volume-up, 2) volume-down, 3) balance-0, and 4) balance-1.

## Volume Control Inputs

Volume-up and volume-down allow the user to move both wipers either up or down the resistor array without changing the relative balance or distance between the wipers. For example, if potentiometer-0's wiper is set at position 28 and potentiometer-1's wiper is set at position 20, the position distance of eight is maintained when using either of these functions. Additionally, the balance between both wipers is preserved if either reaches the end of its resistor array.

## Balance Control Inputs

Balance control inputs allow the user to control the distance or offset between potentiometer-0 and potentiometer-1 wiper position settings. The two input controls for balance include B0 and B1. The balance control inputs attempt to minimize their respective wiper's attenuation. When the DS1802 first receives a balance control input, the position of the wiper closest to the high end terminal,  $H_x$ , is stored. Wiper position movement is then governed by this stored value.

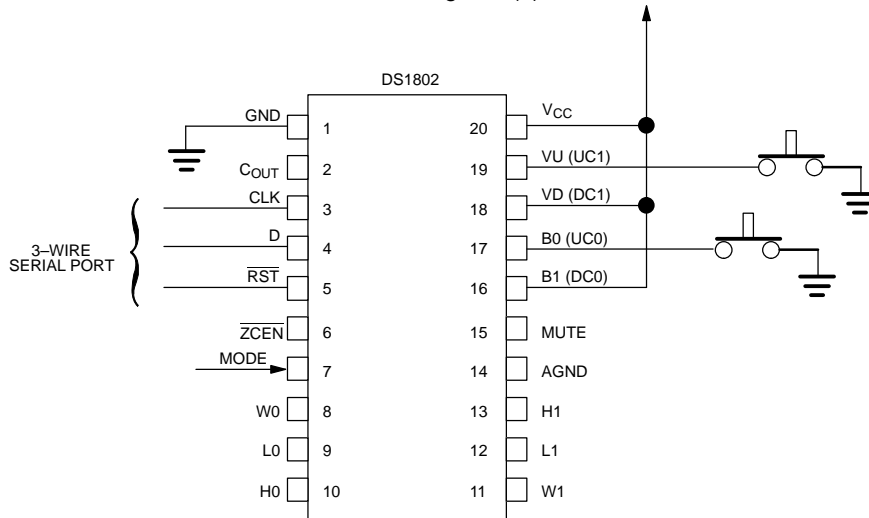
For example, if the B0 input is used, the attenuation of potentiometer-0 will change only if it is greater than the attenuation of potentiometer-1. The direction of movement for the potentiometer-0 wiper will be towards the high end of the resistor array. Movement of wiper-0 will only stop once its value is equal to that of wiper-1. At this point, continued input activity on the B0 input will cause an increase in attenuation of potentiometer-1. Note that if the wiper of potentiometer-1 peaks at the bottom of its

array, continued B0 input activity will cause no change in the wiper positions of the device. A B1 input will be required to change the balance of the two wipers if the potentiometer wiper peaks in this case.

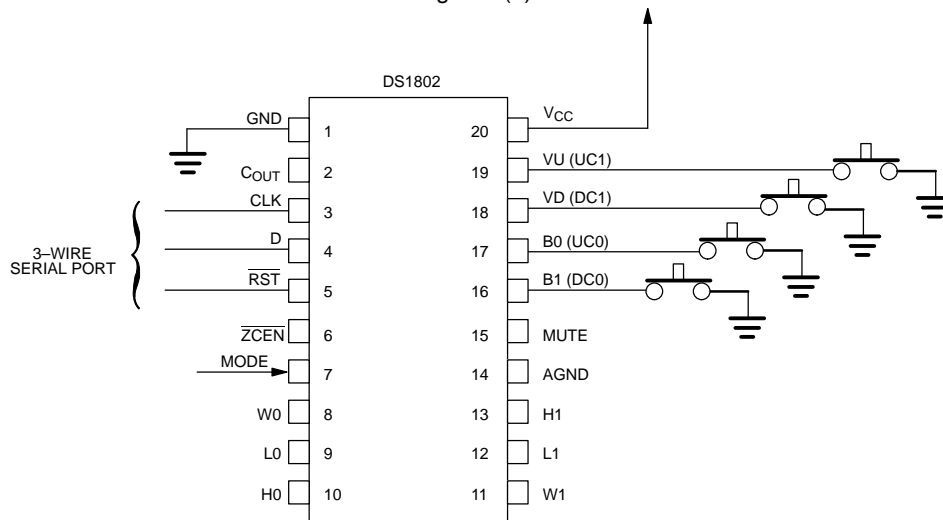
balance controlled inputs. A volume-up control input is required to move the wiper positions from the bottom of the resistor arrays. Balance control operation is presented in Figure 3.

In the case where both wiper positions are at position 63, no movement of the wipers will take place when using the

**SINGLE PUSH-BUTTON CONFIGURATION** Figure 2(a)



**DUAL PUSH-BUTTON CONFIGURATION** Figure 2(b)



Contact closure is defined as the transition from a high level to a low level on the contact closure input terminals. The DS1802 interprets input pulse widths as the means of controlling wiper movement. A single pulse input over the UCx or DCx input terminals will cause the wiper to move one position. A transition from high to low on these inputs is considered the beginning of pulse activity or contact closure. A single pulse is defined as being greater than 1 ms but lasting no longer than a second. This is shown in Figure 4(a).

Repetitive pulsed inputs can be used to step through each resistive position of the device in a relatively fast manner (see Figure 4(b)). The requirement for repetitive pulsed inputs is that pulses must be separated by a minimum time of 1 ms. If not, the DS1802 will interpret repetitive pulses as a single pulse.

Pulse inputs lasting longer than 1 second will cause the wiper to move one position every 100 ms following the initial 1 second hold time. The total time to transcend the entire potentiometer using a continuous input pulse is given by the formula below:

$$1 \text{ (second)} + 63 \times 100 \text{ ms} = 7.3 \text{ (seconds)}$$

### Single Contact Closure

Single contact closure operation allows the user to control wiper movement in either direction from a single push-button input. Figure 2(a), as mentioned, presents a typical single push-button configuration.

In independent mode control, the UC0 and UC1 inputs are used to increment and decrement each respective wiper position for single push-button mode of operation. The DC0 and DC1 inputs provide no functionality in the single push-button configuration but must be connected to the positive supply voltage ( $V_{CC}$ ). In stereo mode control, the VU and B0 inputs are used to control volume and balance. The VD and B1 inputs provide no functionality

in the single push-button configuration but must be connected to the positive supply voltage ( $V_{CC}$ ). The 3-wire serial port inputs ( $\overline{RST}$ , CLK, and D) must be grounded when not used.

On device power-up, the configuration shown in Figure 2(a) must exist in order to enter the single contact closure mode of operation; especially and specifically, the (DC0, DC1, VD, and B1) input's connection to the positive supply voltage ( $V_{CC}$ ).

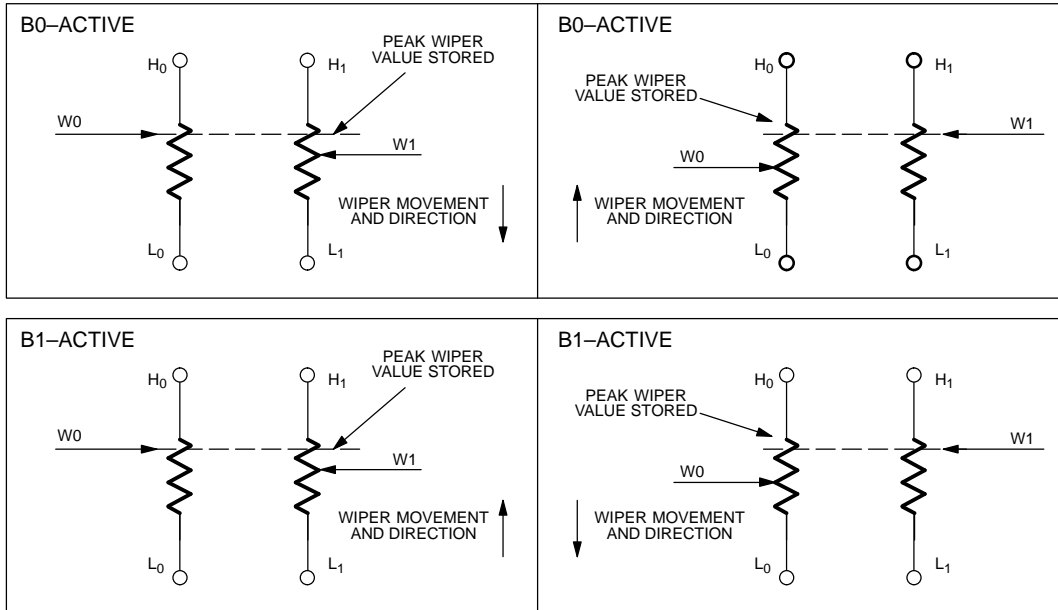
The direction of wiper movement, in single push-button operation, is determined by prior activity; with the direction of wiper movement being opposite to that of the previous activity.

Changing the direction of wiper movement in single push-button configuration is accomplished by a period of inactivity on the controlling input of a (minimum) 1 second or greater. For example, when operating from independent mode control, an inactivity of 1 second or greater on the UC0 input will cause the direction of the potentiometer-0 wiper to reverse. The same is true for the UC1 input. Also, in independent mode control and single push-button configuration, as the wiper reaches the end of the potentiometer range its direction of movement reverses. This will occur regardless if the input is a continuous pulse, a sequence of repetitive pulses or a single pulse.

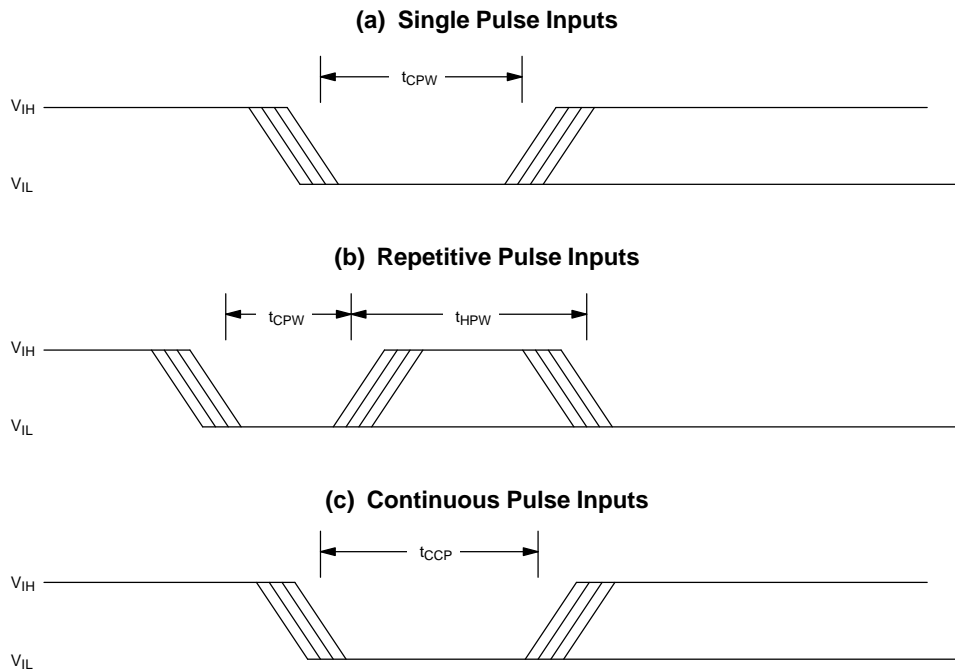
In stereo mode control, the VU input is responsible for both directions of wiper movement. Again, a period of inactivity will allow the direction of volume to be reversed. Additionally, if either wiper reaches a peak position, the direction of movement will automatically reverse.

For balance mode control, the B0 input will be responsible for wiper movement. A period of inactivity lasting 1 second or more will cause a switch in balance movement (i.e., balance-0 to balance-1).

**DS1802 BALANCING EXAMPLE** Figure 3



**CONTACT CLOSURE TIMING (UC, DC)** Figure 4



### Dual Contact Closure

In dual push-button mode, each direction is controlled by the respective control inputs. No wait states are required to change wiper direction, balance, or volume in dual push-button mode. Additionally, in dual push-button mode as the wiper position reaches the end of the potentiometer, the direction of wiper movement will not change. Wiper position will remain at the potentiometers' end until an opposite direction input is given.

All contact closure control inputs, UC0, UC1, DC0, DC1, VU, VD, B0 and B1 are internally pulled-up by a 50K $\Omega$  resistance. The UC0, UC1, DC0, DC1, VU, VD, B0, and B1 inputs are internally debounced and require no external components for input signal conditioning.

### 3-WIRE SERIAL INTERFACE CONTROL

One method of communication and control of the DS1802 is accomplished through a 3-wire serial port interface that drives an internal control logic unit. The 3-wire serial interface is designed for microprocessor or microcontroller applications. The interface consists of three input signals which include  $\overline{RST}$ , CLK and D.

The  $\overline{RST}$  control signal is used to enable 3-wire serial port write operations. The CLK terminal is a clock signal input that provides synchronization for data I/O while the D signal input serves to transfer potentiometer wiper position settings to the device.

As shown in Figure 5, a 3-wire serial port operation begins with a transition of the  $\overline{RST}$  signal input to a high state. Once the 3-wire port has been activated, data is clocked into the part on the low to high transition of the CLK signal input. Data input via the D line is transferred in order of the desired potentiometer-0 value followed by the potentiometer-1 value.

The DS1802 contains two 65-position potentiometers whose wiper positions are set by an 8-bit value. These two 8-bit values are written to the 16-bit I/O shift register which is used to store wiper position during powered conditions. Because the potentiometer has 65-positions, only seven bits of data are needed to set wiper position. A detailed diagram of the 16-bit I/O shift register is shown in Figure 5. Bits 0 through 7 are reserved for the potentiometer-0 control while bits 8 through 15 are reserved for control of potentiometer-1.

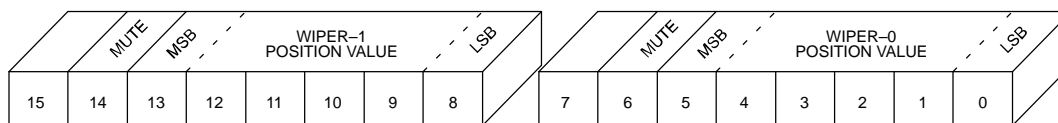
Bits 0 through 5 are used for actual wiper positioning for potentiometer-0. Bit 6 is used to mute potentiometer-0. If this bit has value "1", the potentiometer-0 wiper will be connected to the low end of the resistive array. The mute feature of the DS1802 will be discussed in the section entitled "Mute Operation of DS1802". The value of bit 7 is a don't care and will not affect operation of the DS1802 or potentiometer-0.

Bits 8 through 13 are used for wiper positioning of potentiometer-1. Bit 14 is used for muting of the potentiometer-1 wiper output. Bit 15, like bit 7, is a don't care and will not affect operation of the DS1802.

Data for the DS1802 is transmitted LSB first starting with bit 0. A complete transmission of 16 bits of data is required to insure proper setting of each potentiometer's wiper. An incomplete transmission may result in undesired wiper settings.

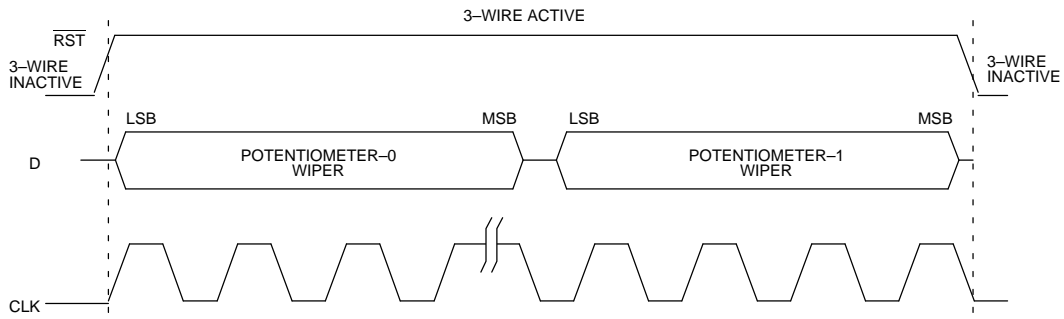
Once the complete 16 bits of information has been transmitted and the  $\overline{RST}$  signal input transitions to a low state, the new wiper positions are loaded into the part.

16-BIT I/O SHIFT REGISTER Figure 5

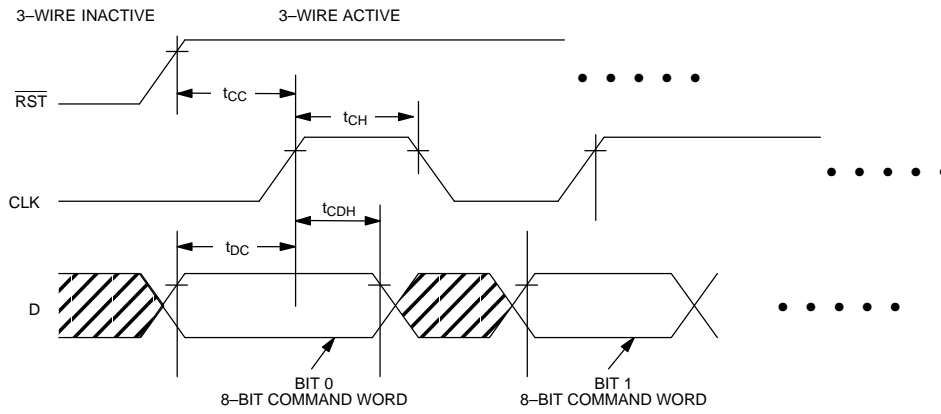


**TIMING DIAGRAMS** Figure 6

**(a) 3-Wire Serial Interface General Overview**



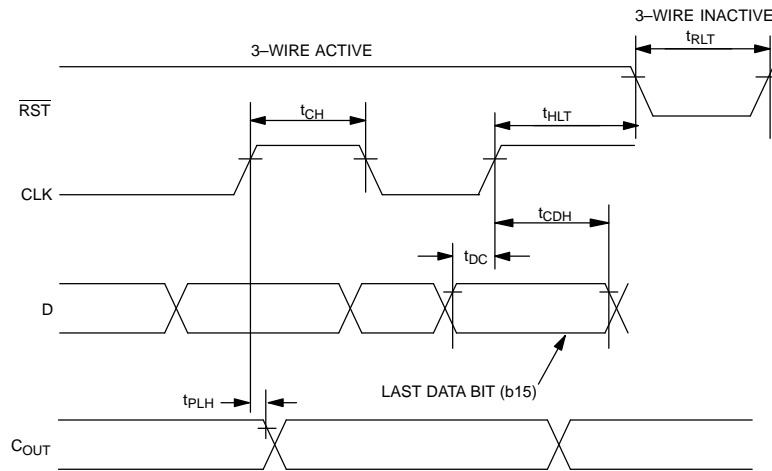
**(b) Start of Communication Transaction**





## TIMING DIAGRAMS Figure 3 (cont'd)

## (c) End of Communication Transaction



## CASCADE OPERATION

A feature of the DS1802 is the ability to control multiple devices from a single processor. Multiple DS1802s can be linked or daisy chained as shown in Figure 7. As a data bit is entered into the I/O shift register of the DS1802 it will appear at the  $C_{OUT}$  output after a maximum delay of 50 nanoseconds.

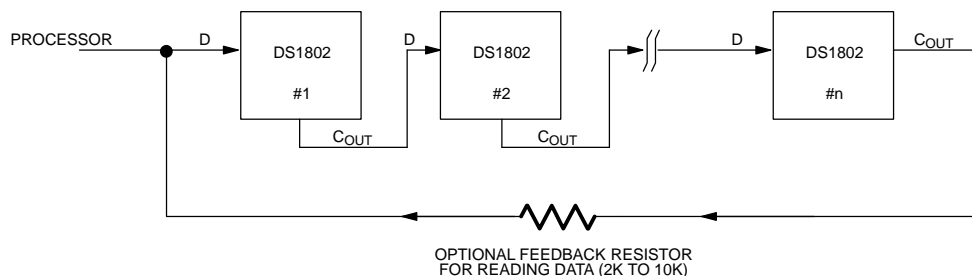
The  $C_{OUT}$  output of the DS1802 can be used to drive the D input of another DS1802. When connecting multiple devices, the total number of bits sent is always 16 times the number of DS1802s in the daisy chain.

An optional feedback resistor can be placed between the  $C_{OUT}$  terminal of the last device and the D input of the first DS1802, thus allowing the controlling processor to circularly clock data through the daisy chain. The value of the

feedback or isolation resistor should be in the range from 2K to 10K ohms.

When reading data via the  $C_{OUT}$  pin and isolation resistor, the D line is left floating by the reading device. When  $\overline{RST}$  is driven high, bit 0 is present on the  $C_{OUT}$  pin, which is fed back to the input D pin through the isolation resistor. When the CLK input transitions low to high, bit 0 is loaded into the first position of the I/O shift register and bit 1 becomes present on  $C_{OUT}$  and D of the next device. After 16 bits (or 16 times the number of DS1802's in the daisy chain), the data has shifted completely around and back to its original position. When  $\overline{RST}$  transitions to the low state to end data transfer, the value (the same as before the read occurred) is loaded into the wiper-0 and wiper-1.

## CASCADING MULTIPLE DEVICES Figure 7



### Zero-Crossing Detection

The DS1802 provides a zero-crossing detection capability when using the 3-Wire Serial interface. Zero-crossing detection provides a means for minimizing any audible noise that may result from sizable discrete wiper transitions when using the part in audio applications. The zero-crossing detect feature allows independent wiper changes only when the two terminals of the potentiometer have equal potentials and within a 50 ms time window from the fall of the  $\overline{RST}$  signal. If at 50 ms the DS1802 has not detected a zero-crossing, the wiper position of the potentiometer(s) will change regardless of the state of the input signal. Zero-crossing detection is activated when the  $\overline{ZCEN}$  input level is in a low-state. When high, the  $\overline{ZCEN}$  input deactivates both the 50 ms time requirement and zero-detection crossing.

Zero-crossing detection is also available when using the part in push-button operation. When a push-button is activated, the part will change wiper position during the first detected zero-crossing or at the end of a 50 ms time window.

When operating in push-button operation with a continuous input pulse, the wiper position will change once during the initial 1 second time period. This change is dictated by a detected zero-crossing or 50 ms time window. Subsequent changes when operating with continuous input pulse occur on 100 ms time intervals and are dependent on zero-crossing or 50 ms timeouts.

### MUTE CONTROL

The DS1802 provides a mute control feature which can be accessed by the user through hardware or software. Hardware control of the device is achieved through the MUTE input pin. This pin is internally pulled up through a 50K $\Omega$  resistor. When this input is driven low, the wiper outputs of both potentiometers will be internally connected to the low terminal of their respective potentiometers. This input performs as a toggle input, with the first

activity on this pin connecting the wiper outputs to the low end of the resistive array on each potentiometer. The next input activity on this pin will return the wiper position to the previous state before the muting occurred. Also, if operating in push-button mode, mute will be deactivated if an input is received over the VU, VD, UC0, UC1, DC0, DC1 inputs. This input, like the push-button inputs, is internally debounced and requires no external circuitry. When the device powers up, the first activity on the mute pin will internally connect the wipers to the low end of the resistor array.

Software mute control was briefly discussed in 3-wire protocol and operation. Bits 6 and 14 of the 16-bit I/O shift register are reserved for mute control of potentiometer-0 and potentiometer-1, respectively. Unlike hardware mute control, software muting allows the user individual control of each potentiometer (i.e., potentiometer-0 and potentiometer-1 can be independently muted). Software muting of potentiometer-0 would require bit 6 to have a value of 1 while for potentiometer-1, bit 14 should have a value 1. When the user desires to release the mute of any potentiometer through software the complete 16-bit I/O shift register must be rewritten with the desired potentiometer wiper settings and bits 6 and 14 having zero value.

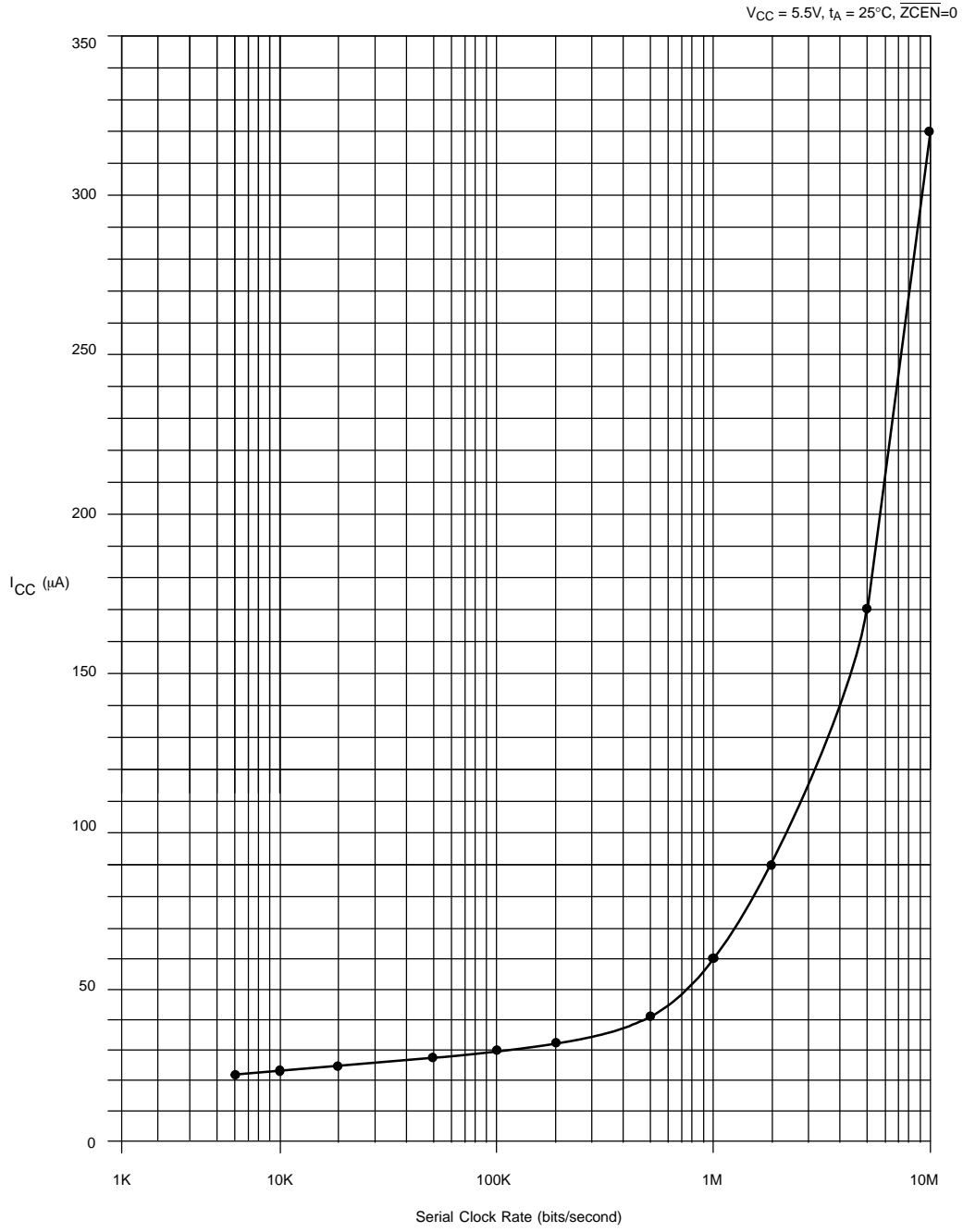
### 3-Wire Serial Port Vs push-button Operation

In applications where both the 3-Wire Serial port and the push-button inputs will be used to control the part, there may exist times when activity is present on both control interfaces simultaneously. This section describes how the DS1802 handles these situations.

In all instances, the DS1802 ' 3-Wire serial port takes precedence over push-button input control.

The DS1802 will not allow push-button inputs to change wiper position during 3-Wire serial port activity.

TYPICAL SUPPLY CURRENT VS. SERIAL CLOCK RATE Figure 8



**ABSOLUTE MAXIMUM RATINGS\***

Voltage on Any Pin Relative to Ground and AGND	-0.7V to +7.0V
Operating Temperature	0°C to 70°C commercial
Storage Temperature	-55°C to +125°C
Soldering Temperature	260°C for 10 seconds

\* This is a stress rating only and functional operation of the device at these or any other conditions above those indicated in the operation sections of this specification is not implied. Exposure to absolute maximum rating conditions for extended periods of time may affect reliability.

**RECOMMENDED DC OPERATING CONDITIONS**

(0°C to 70°C)

PARAMETER	SYMBOL	MIN	TYP	MAX	UNITS	NOTES
Supply Voltage	$V_{CC}$	+2.7		5.5	V	1
Input Logic 1	$V_{IH}$	2.0		$V_{CC}+0.5$	V	1, 2
Input Logic 0	$V_{IL}$	-0.5		+0.8	V	1, 2
Resistor Inputs	L, H, W	GND-0.5		$V_{CC}+0.5$	V	1
Analog Ground	AGND	GND-0.5		GND +0.5	V	14

**DC ELECTRICAL CHARACTERISTICS**(0°C to 70°C;  $V_{CC}=2.7$  to 5.5V)

PARAMETER	SYMBOL	MIN	TYP	MAX	UNITS	NOTES
Supply Current	$I_{CC}$			2000	$\mu A$	12
Input Leakage	$I_{LI}$	-1		+1	$\mu A$	3
Wiper Resistance	$R_W$		400	1000	$\Omega$	
Wiper Current	$I_W$			1	mA	
Logic 1 Output Current @ 2.4 Volts	$I_{OH}$	-1.0			mA	2
Logic 0 Output Current @ 0.4 Volts	$I_{OL}$			4	mA	2
Standby Current 3 Volts 5 Volts			22 42	80	$\mu A$ $\mu A$	15
Power-Up Time	$t_{PU}$		50		ms	9

**ANALOG RESISTOR CHARACTERISTICS**(0°C to 70°C;  $V_{CC}=2.7$  to 5.5V)

PARAMETER	SYMBOL	MIN	TYP	MAX	UNITS	NOTES
Total Resistance			45		K $\Omega$	
Absolute Tolerance		-1		+1	dB	11
Inter-Channel Matching		-0.5		+0.5	dB	6
Tap-to-Tap Tolerance		-0.25		+0.25	dB	7, 16
-3 dB Cutoff Frequency	$f_{CUTOFF}$		700 KHz		KHz	
Temperature Coefficient			$\pm 800$		ppm/ $^{\circ}$ C	
Total Harmonic Distortion ( $V_{IN}=1V_{RMS}$ , 1 KHz, Tap= -6 dB)	THD		0.002		%	16
Output Noise (20 Hz to 20 KHz, Grounded Input, Tap= -6 dB)			2.2		$\mu V_{RMS}$	
Digital Feedthrough (20 Hz to 20 KHz, Tap= -6 dB)			-90		dB	16
Interchannel Isolation (20 Hz to 20 KHz, Tap= -6 dB)			-100		dB	16
Mute Control Active	Mute		-90		dB	

**CAPACITANCE**(0°C to 70°C;  $V_{CC}=2.7$  to 5.5V)

PARAMETER	SYMBOL	MIN	TYP	MAX	UNITS	NOTES
Input Capacitance	$C_{IN}$			5	pF	8
Output Capacitance	$C_{OUT}$			7	pF	8

**AC ELECTRICAL CHARACTERISTICS**(0°C to 70°C;  $V_{CC}=2.7$  to 5.5V)

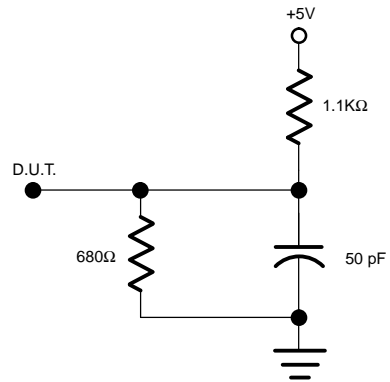
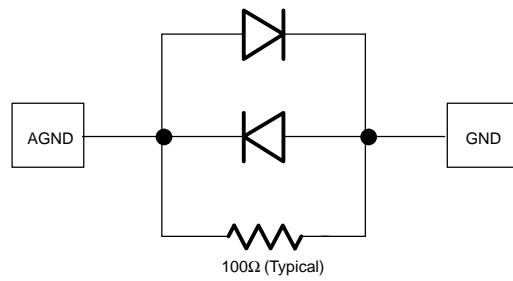
PARAMETER	SYMBOL	MIN	TYP	MAX	UNITS	NOTES
CLK Frequency	$f_{CLK}$	DC		10	MHz	10, 13
Width of CLK Pulse	$t_{CH}$	50			ns	10, 13
Data Setup Time	$t_{DC}$	30			ns	10, 13
Data Hold Time	$t_{CDH}$	10			ns	10, 13
Propagation Delay Time Low to High Level Clock to Output	$t_{PLH}$			50	ns	10, 13
Propagation Delay Time High to Low Level	$t_{PLH}$			50	ns	10, 13
$\overline{RST}$ High to Clock Input High	$t_{CC}$	50			ns	10, 13
$\overline{RST}$ Low from Clock Input High	$t_{HLT}$	50			ns	10, 13
CLK Rise Time	$t_{CR}$			50	ns	10, 13
$\overline{RST}$ Inactive	$t_{RLT}$	200			ns	10, 13

**AC ELECTRICAL CHARACTERISTICS (PUSH-BUTTON INPUTS)** (0°C to 70°C;  $V_{CC}=2.7$  to 5.5V)

PARAMETER	SYMBOL	MIN	TYP	MAX	UNITS	NOTES
Single Pulse Input	$t_{CPW}$	1		DC	ms	3, 5, 13
Repetitive Input Pulse High Time	$t_{HPW}$	1		DC	ms	3, 5, 13
Continuous Input Pulse	$t_{CCP}$	1		DC	s	3, 5, 13

**NOTES:**

- All voltages are referenced to ground.
- Valid for  $V_{CC}=5V$  only.
- Both UCx and DCx inputs are internally pulled up with a 50K $\Omega$  resistance.
- Capacitance values apply at 25°C.
- Input pulse width is the minimum time required for an input to cause an increment or decrement. If the UCx or DCx inputs is held active for longer than 1 second, subsequent increments or decrements will occur on 100 ms intervals until the inputs UCx, DCx are released to  $V_{IH}$ . Timing tolerances for push-button control is  $\pm 30\%$ .
- Inter-Channel Matching is used to determine the relative voltage difference in dB between the same tap position on each potentiometer. The DS1802 is specified for  $\pm 0.5$  dB inter-channel matching.
- Tap-to-Tap tolerance is used to determine the change in voltage between successive tap positions. The DS1802 is specified for  $\pm 0.25$  dB tap-to-tap tolerance.
- Typical values are for  $t_A=25^\circ C$  and nominal supply voltage.
- Power-up time is the time for all push-button inputs to be stable and active once power has reached a valid level, 2.7V min.
- See Figure 6.
- Absolute tolerance is used to determine measured wiper voltage vs. expected wiper voltage as determined by wiper position. The DS1802 is bounded by a  $\pm 1$  dB absolute tolerance.
- Maximum current specifications are based on clock rate, active zero-crossing detection, and push-button activation. See Figure 8 for clock rate vs. current specification.
- Valid for  $V_{CC}=3V$  or 5V.
- See Figure 10.
- Standby current levels apply when all inputs are driven to appropriate supply levels.
- These parameters are characterized and not 100% tested.

**DIGITAL OUTPUT LOAD** Figure 9**INTERNAL GROUND CONNECTIONS** Figure 10

NOTE: GND and AGND must be tied to the same voltage level.