

Divide by: 128/129/144 triple modulus low power ECL prescaler

SA703

DESCRIPTION

The SA703 triple modulus (Divide By 128/129/144) low power ECL prescaler is used in synthesizer systems to achieve low phase lock time, broad operating range, high reference frequency and small frequency step sizes. The minimum supply voltage is 2.7V and is compatible with the UMA1005 synthesizer from Philips and other logic circuits. The low supply current allows application in battery operated low-power equipment. Maximum input signal frequency is 1.1GHz for cellular and other land mobile applications. There is no lower frequency limit due to a fully static design. The circuit is implemented in ECL technology on the QUBiC process. The circuit will be available in an 8-pin SO package with 150 mil package width and in 8-pin dual in-line plastic package.

APPLICATIONS

- Cellular phones
- Cordless phones
- RF LANs
- Test and measurement
- Military radio

PIN CONFIGURATION

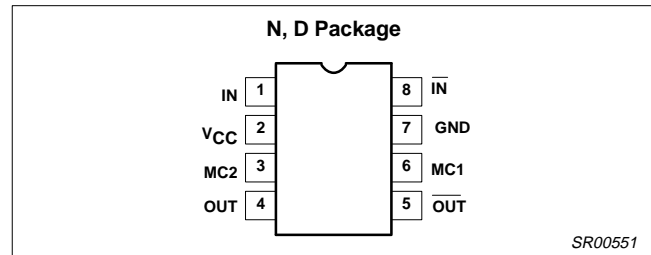


Figure 1. Pin Configuration

- VHF/UHF mobile radio
- VHF/UHF hand-held radio

FEATURES

- Low voltage operation
- Low current consumption
- Operation up to 1.1GHz
- ESD hardened

ORDERING INFORMATION

DESCRIPTION	TEMPERATURE RANGE	ORDER CODE	DWG #
8-Pin Plastic Dual In-Line Package (DIP)	-40 to +85°C	SA703N	SOT97-1
8-Pin Plastic Small Outline (SO) package (Surface-mount)	-40 to +85°C	SA703D	SOT96-1

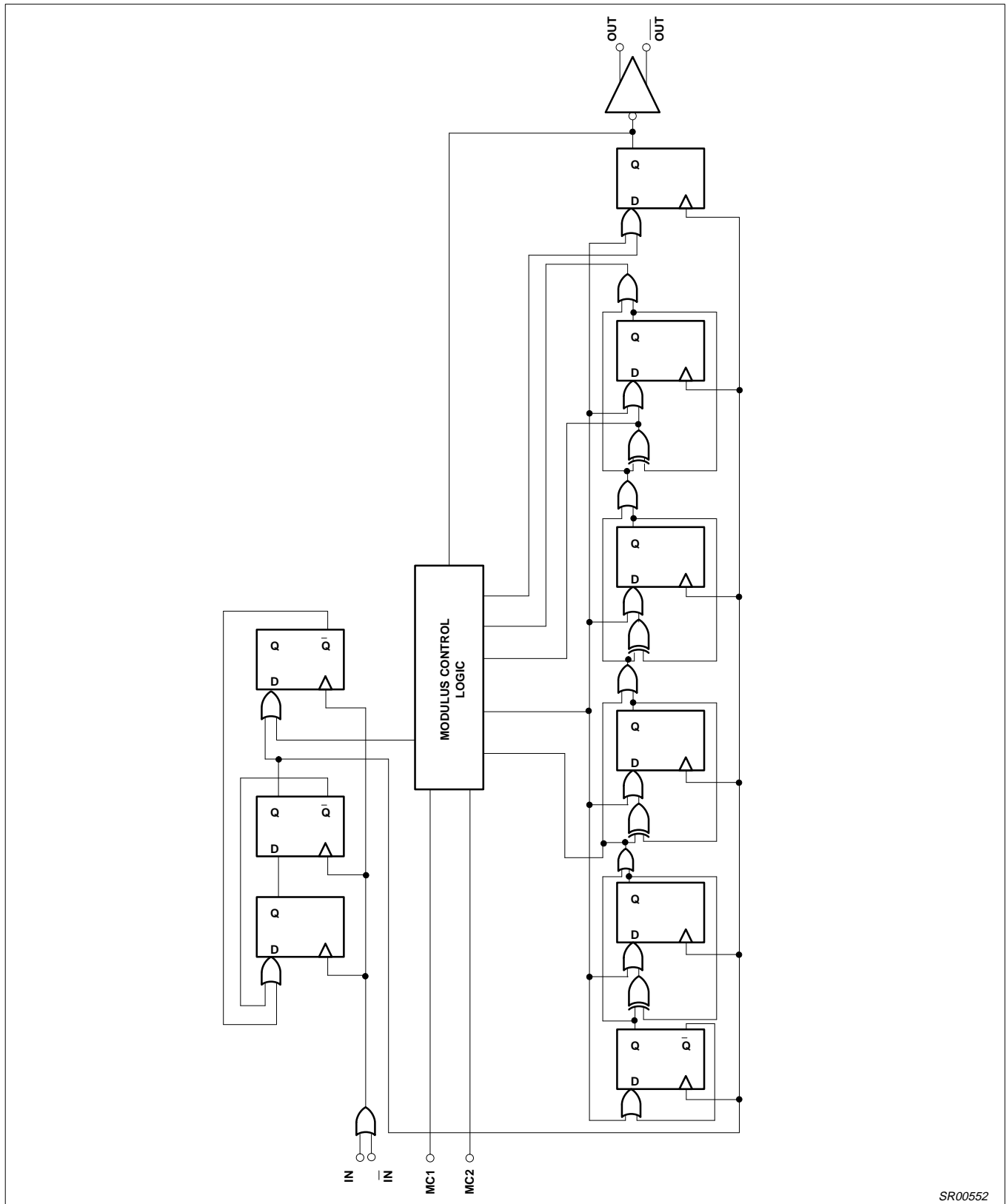
ABSOLUTE MAXIMUM RATINGS

SYMBOL	PARAMETER	RATING	UNITS	
V_{CC}	Supply voltage	-0.3 to +7.0	V	
V_{IN}	Voltage applied to any other pin	-0.3 to ($V_{CC} + 0.3$)	V	
I_O	Output current	10	mA	
T_{STG}	Storage temperature range	-65 to +125	°C	
T_A	Operating ambient temperature range	-55 to +125	°C	
θ_{JA}	Thermal impedance	D package N package	158 108	°C/W

Divide by: 128/129/144 triple modulus low power ECL prescaler

SA703

BLOCK DIAGRAM



SR00552

Divide by: 128/129/144 triple modulus low power ECL prescaler

SA703

DC ELECTRICAL CHARACTERISTICS

The following DC specifications are valid for $T_A = 25^\circ\text{C}$ and $V_{CC} = 3.0\text{V}$; unless otherwise stated. Test circuit Figure 4.

SYMBOL	PARAMETER	TEST CONDITIONS	LIMITS			UNITS
			MIN	TYP	MAX	
V_{CC}	Power supply voltage range	$f_{IN} = 1\text{GHz}$, input level = 0dBm	2.7		6.0	V
I_{CC}	Supply current	No load		4.5		mA
V_{OH}	Output high level	$I_{OUT} = 1.2\text{mA}$	$V_{CC}-1.4$			V
V_{OL}	Output low level			$V_{CC}-2.6$		V
V_{IH}	MC1 input high threshold		2.0		V_{CC}	V
V_{IL}	MC1 input low threshold		-0.3		0.8	V
V_{IH}	MC2 input high threshold		2.0		V_{CC}	V
V_{IL}	MC2 input low threshold		-0.3		0.8	V
I_{IH}	MC1 input high current	$V_{MC1} = V_{CC} = 6\text{V}$		0.1	50	μA
I_{IL}	MC1 input low current	$V_{MC1} = 0\text{V}$, $V_{CC} = 6\text{V}$	-100	-30		μA
I_{IH}	MC2 input high current	$V_{MC2} = V_{CC} = 6\text{V}$		0.1	50	μA
I_{IL}	MC2 input low current	$V_{MC2} = 0\text{V}$, $V_{CC} = 6\text{V}$	-100	-30		μA

AC ELECTRICAL CHARACTERISTICS

These AC specifications are valid for $V_{CC} = 3.0\text{V}$, $f_{IN} = 1\text{GHz}$, input level = 0dBm, $T_A = 25^\circ\text{C}$; unless otherwise stated. Test circuit Fig. 4.

SYMBOL	PARAMETER	TEST CONDITIONS	LIMITS			UNITS
			MIN	TYP	MAX	
V_{IN}	Input signal amplitude ¹	1000pF input coupling	0.05		2.0	V_{P-P}
f_{IN}	Input signal frequency	Direct coupled input ²	0		1.1	GHz
		1000pF input coupling			1.1	
R_{ID}	Differential input resistance	DC measurement		5		k Ω
V_O	Output voltage	$V_{CC} = 5.0\text{V}$		1.6		V_{P-P}
		$V_{CC} = 3.0\text{V}$		1.2		
t_S	Modulus set-up time ¹				5	ns
t_H	Modulus hold time ¹				0	ns
t_{PD}	Propagation time			10		ns

NOTES:

1. Maximum limit is not tested, however, it is guaranteed by design and characterization.
2. For $f_{IN} < 50\text{MHz}$, minimum input slew rate of $32\text{V}/\mu\text{s}$ is required.

DESCRIPTION OF OPERATION

The SA703 comprises a frequency divider circuit implemented using a divide by 4 or 5 synchronous prescaler followed by a 5 stage synchronous counter, see BLOCK DIAGRAM. The normal operating mode is for MC1 (Modulus Control) to be set high and MC2 input to be set low in which case the circuit comprises a divide by 128. For divide by 129 the MC1 signal is forced low, causing the prescaler circuit to switch into divide by 5 operation for the last cycle of the synchronous counter. For divide by 144, MC2 is set high configuring the prescaler to divide by 4 and the counter to divide by 36. A truth table for the modulus values is given in Table 1.

For minimization of propagation delay effects, the second divider circuit is synchronous to the divide by 4/5 stage output.

The prescaler input is positive edge sensitive, and the output at the final count is a falling edge with propagation delay t_{PD} relative to the

input. The rising edge of the output occurs at the count 64 with delay t_{PD} .

The MC1 and MC2 inputs are TTL compatible threshold inputs operating at a reduced input current. CMOS and low voltage interface capability are allowed.

The prescaler input is differential and ECL compatible. The output is differential ECL compatible.

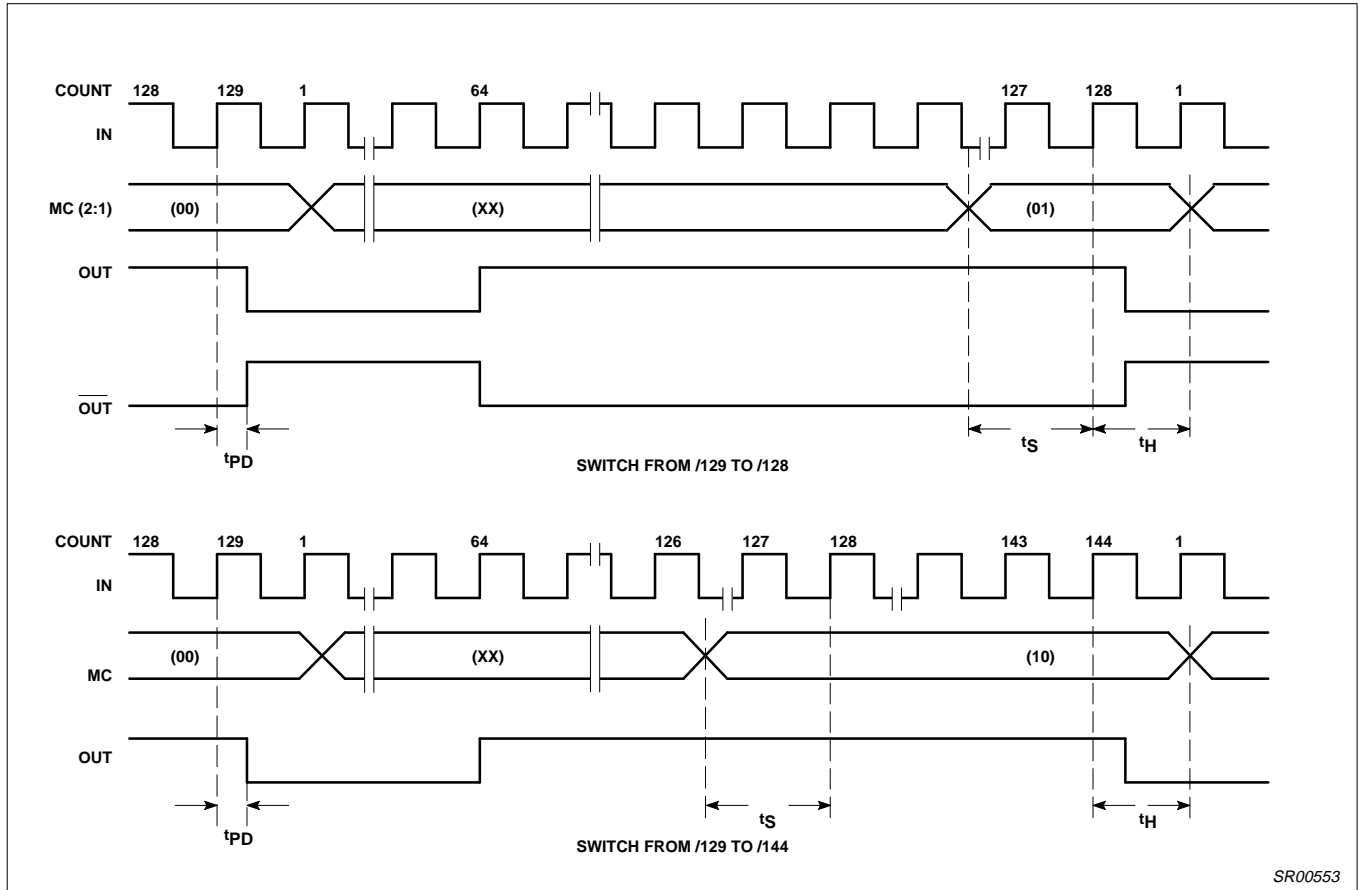
Table 1.

Modulus	MC1	MC2
128	1	0
129	0	0
144	0	1
144	1	1

Divide by: 128/129/144 triple modulus low power ECL prescaler

SA703

AC TIMING CHARACTERISTICS



SR00553

Figure 3. AC Timing Characteristics

Divide by: 128/129/144 triple modulus low power ECL prescaler

SA703

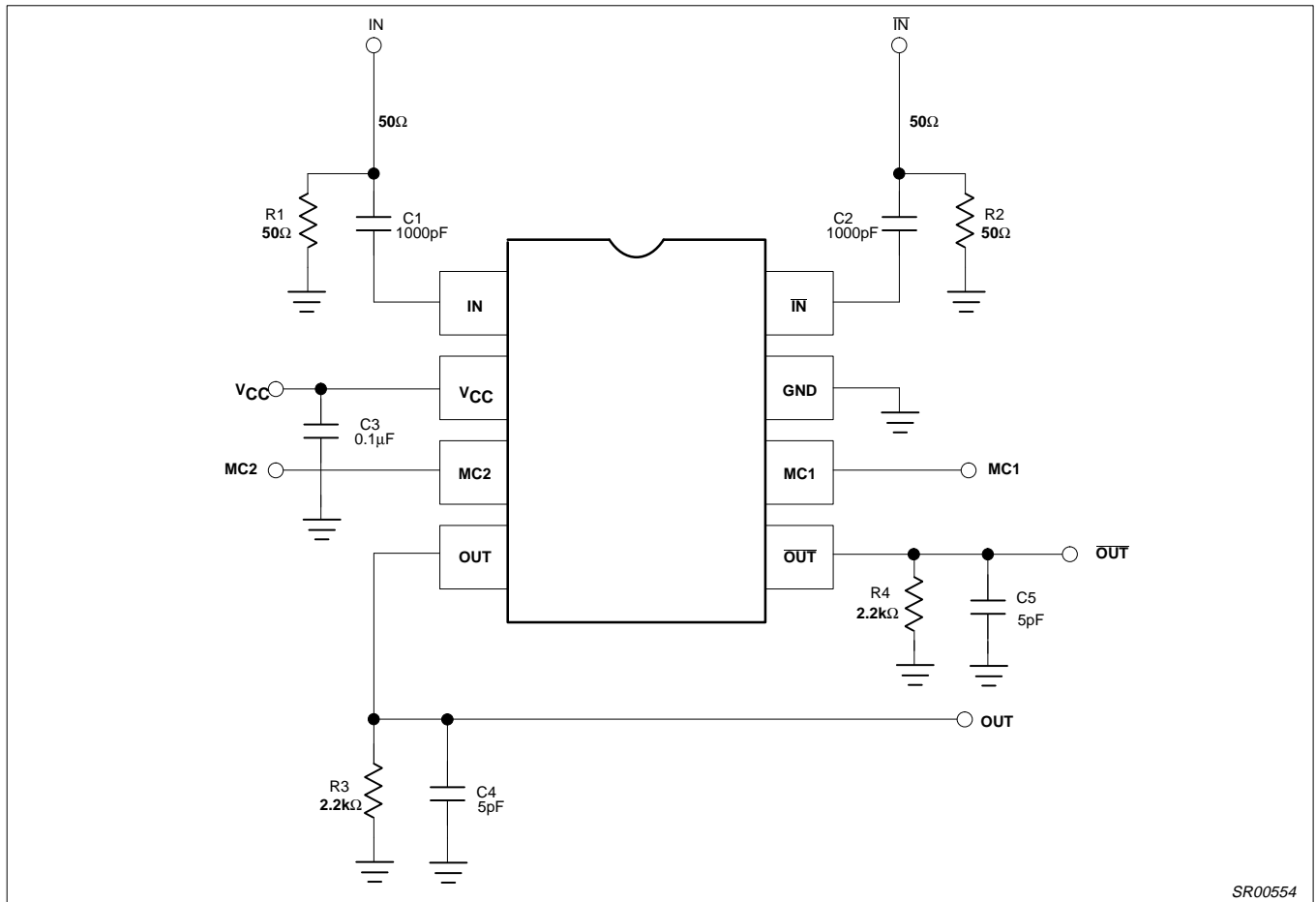


Figure 4. SA703 Test Circuit

SR00554

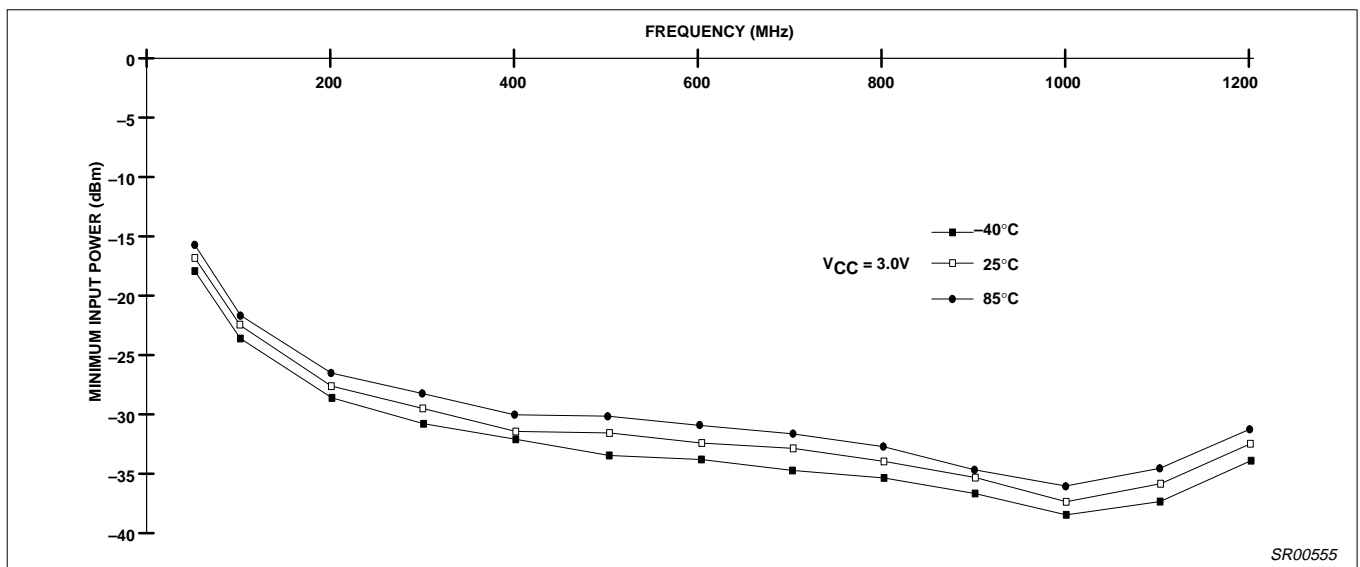


Figure 5. Minimum Input Power vs Frequency and Temperature

SR00555

Divide by: 128/129/144 triple modulus low power ECL prescaler

SA703

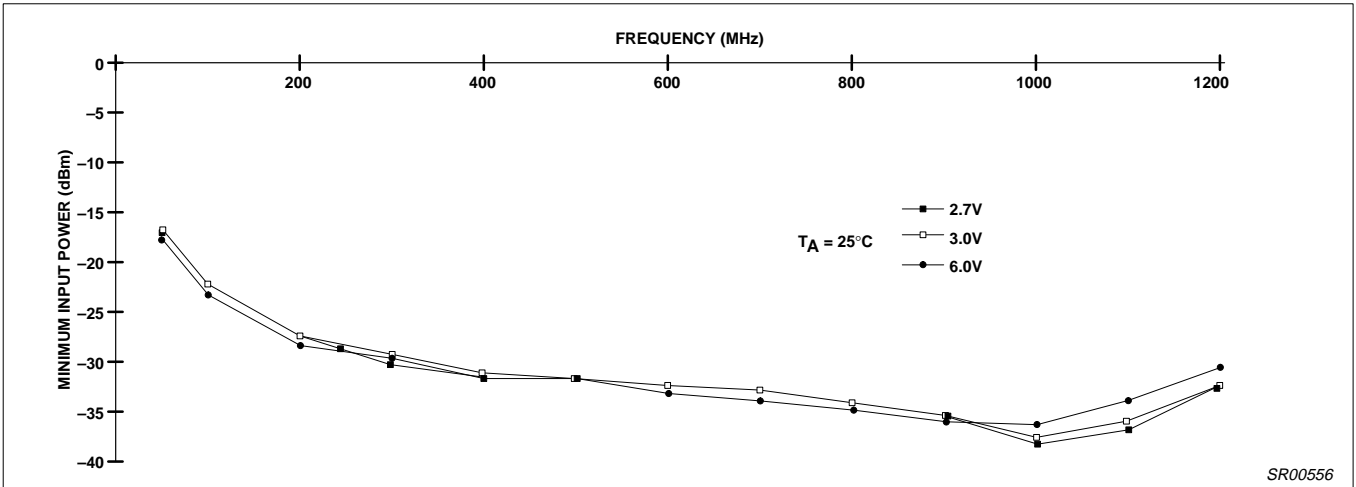


Figure 6. Minimum Input Power vs Frequency and V_{CC}

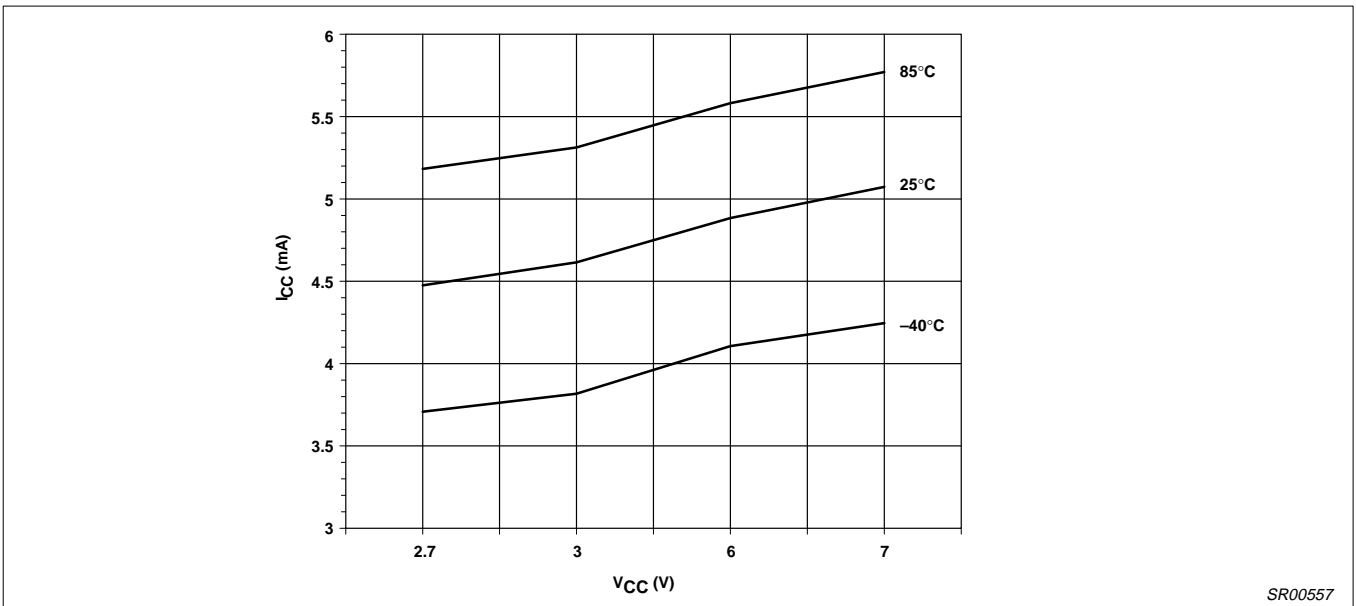


Figure 7. Supply Current vs Supply Voltage and Temperature With No Load

Divide by: 128/129/144 triple modulus low power ECL prescaler

SA703

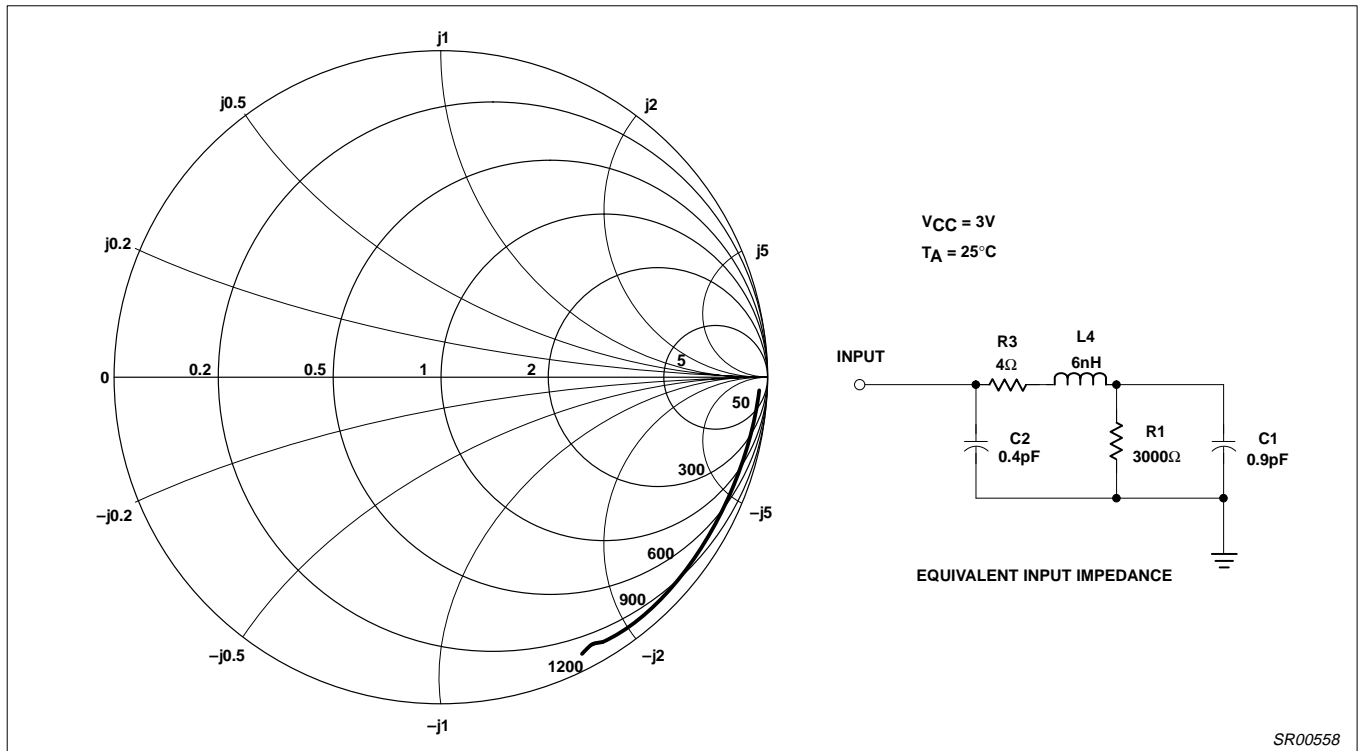


Figure 8. Typical N Package Input Impedance

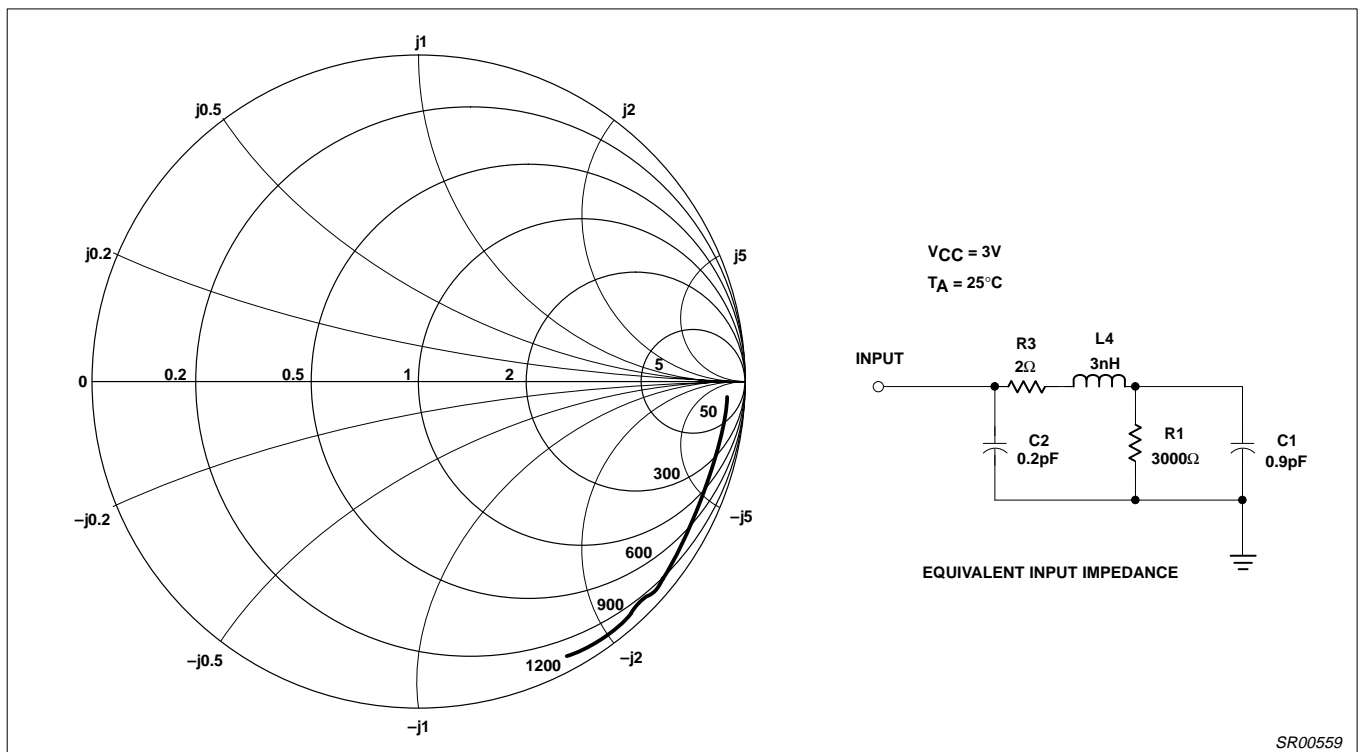


Figure 9. Typical D Package Input Impedance