

The SP4666 is a selectable division ratio high speed divider capable of replacing separate fixed ratio ECL prescalers with a single part in applications with alternative $\div 64$ and $\div 256$ division requirements.

A switched low pass filter with -3dB points at 5.3MHz and 15.6MHz is connected before the output stage to reduce the harmonic content to a very low level.

FEATURES

- Switched Low Pass Filter for Very Low Output Radiation
 - Low Supply Current
 - Input Wideband Amplifier
 - High Input Sensitivity
 - High Input Impedance
 - Balanced ECL Outputs
 - Electrostatic Protection †
- † ESD precautions must be observed

ABSOLUTE MAXIMUM RATINGS

Supply voltage, V_{CC}	+7V
Input voltage	2.5V p-p
Storage temperature	-55°C to $+150^{\circ}\text{C}$
Operating temperature range	0°C to $+80^{\circ}\text{C}$

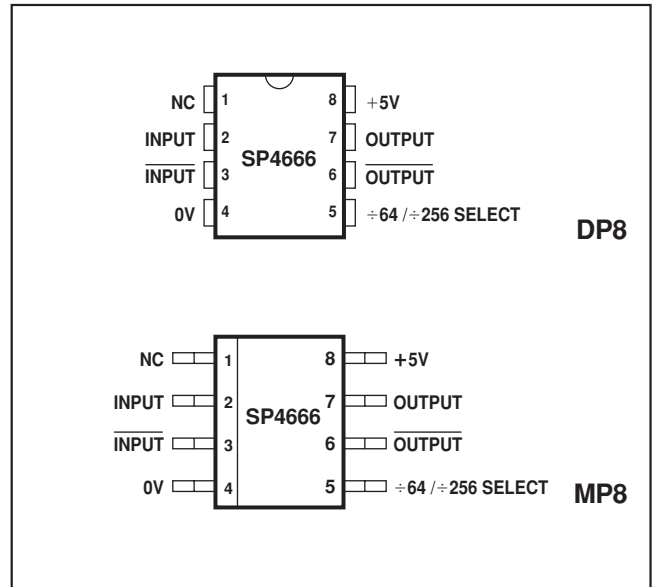


Fig 1. Pin connections - top view

ORDERING INFORMATION

SP4666 NA DP
SP4666 NA MP

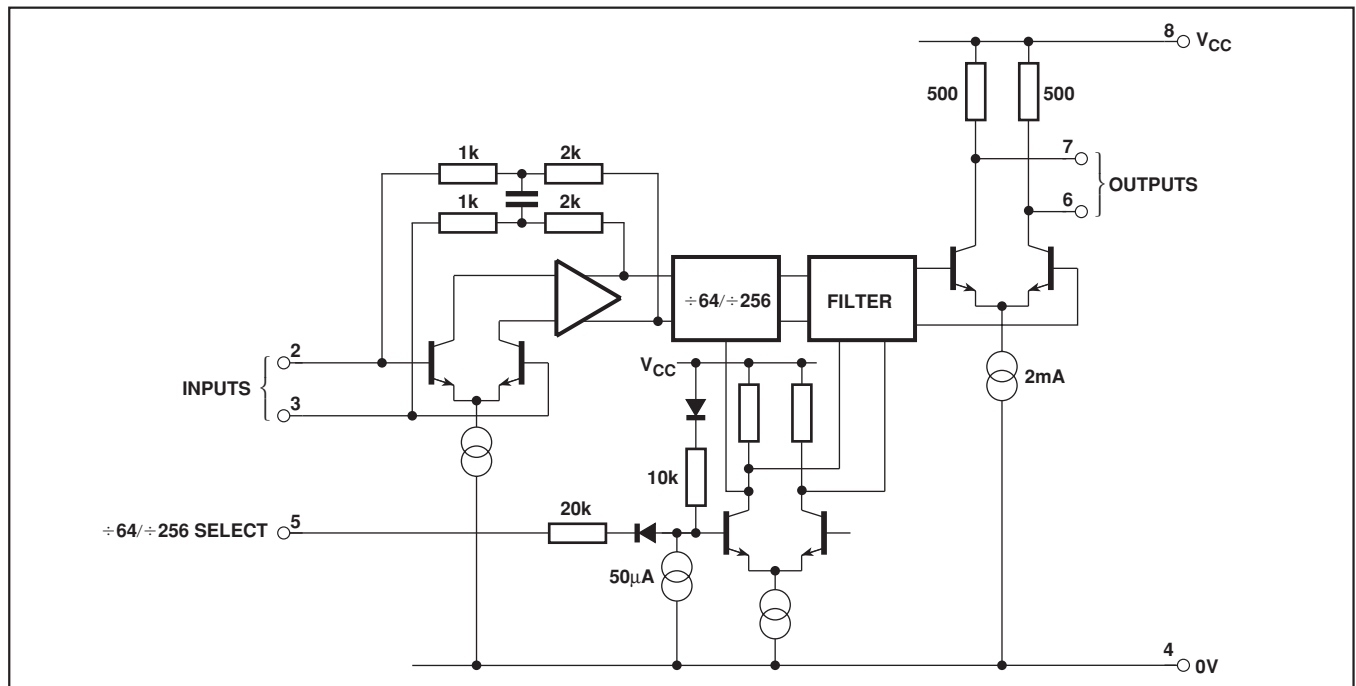


Fig 2 SP4666 block diagram

SP4666

ELECTRICAL CHARACTERISTICS

These characteristics are guaranteed over the following conditions (unless otherwise stated):

$T_{AMB} = 0^{\circ}\text{C}$ to $+80^{\circ}\text{C}$, $V_{CC} = 4.5\text{V}$ to 5.5V (Test circuit see Fig. 3)

Characteristic	Pin	Value			Units	Conditions
		Min.	Typ.	Max.		
Supply current, I_{CC}	8		23	30	mA	$V_{CC} = +5\text{V}$
Input sensitivity	2,3					RMS sinewave (50Ω system)
50MHz			2.5	10	mV	
200MHz to 1050MHz			0.5	5	mV	
1050MHz to 1300MHz				10	mV	
Input overload	2,3	500			mV	
Input impedance	2,3		50		Ω	See Fig. 6
			2		pF	
Output voltage with 12pF load	6,7	0.8	1		V p-p	÷64 mode, $f_{IN} = 100\text{MHz}$
		0.8	1		V p-p	÷256 mode, $f_{IN} = 100\text{MHz}$
		0.4	0.5		V p-p	÷64 mode, $f_{IN} = 1000\text{MHz}$
		0.7	0.9		V p-p	÷256 mode, $f_{IN} = 1000\text{MHz}$
		0.25	0.35		V p-p	÷64 mode, $f_{IN} = 1300\text{MHz}$
		0.6	0.7		V p-p	÷256 mode, $f_{IN} = 1300\text{MHz}$
Output impedance	6,7		500		Ω	
Output imbalance	6,7		0.1		V	
Voltage for ÷256 operation	5			0.5	V	
Voltage for ÷64 operation	5	3.5			V	See note 1
Sink current for ÷256 operation	5			250	μA	$V_{pin5} = 0\text{V}$

NOTES

- Pin 5 has an internal pull-up and may be left open-circuit for ÷64 operation.
- The difference between the maximum input sensitivity and minimum overload voltage is the guaranteed dynamic range. Input signal levels should be maintained within these limits at all frequencies.

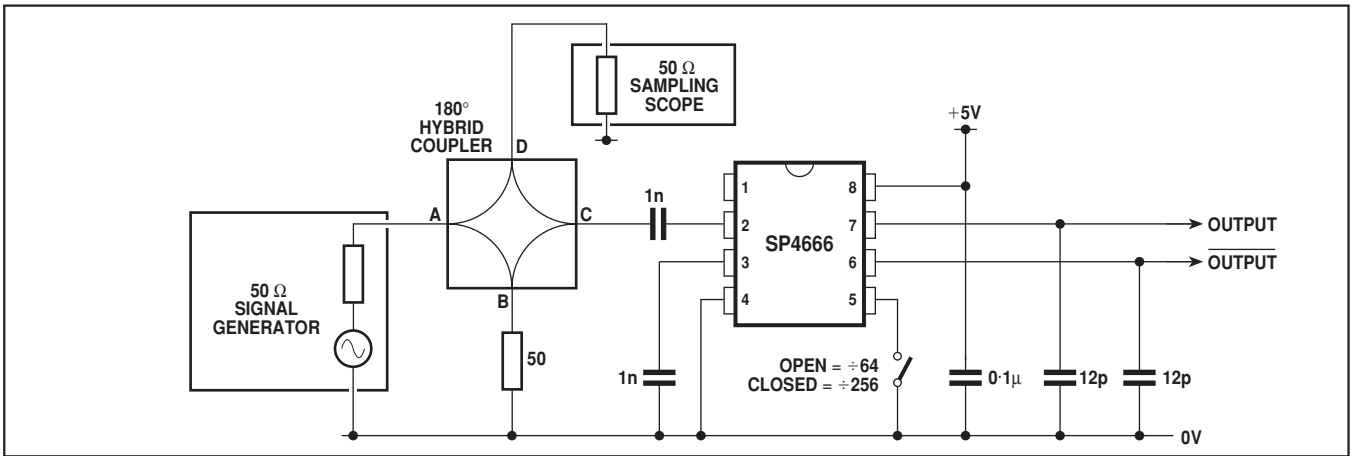


Fig. 3 Test circuit

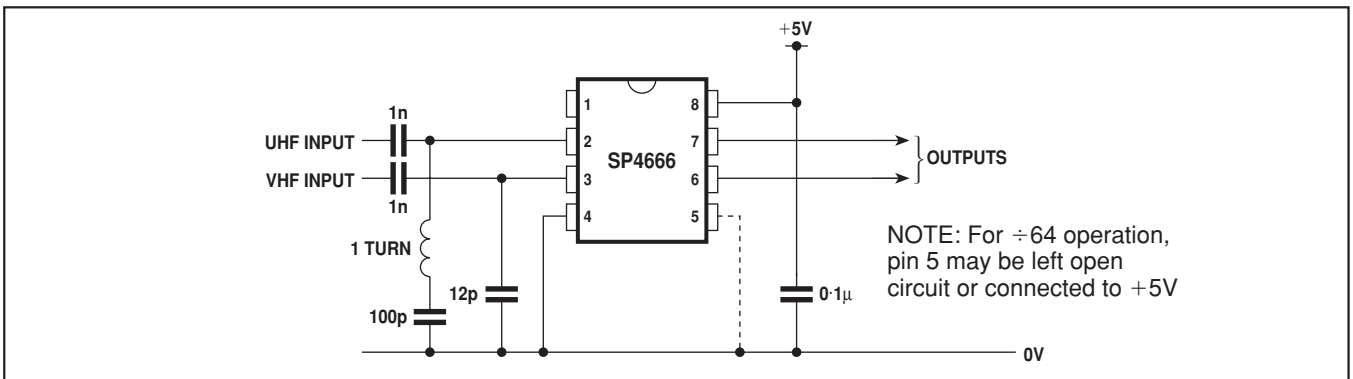


Fig. 4 Application circuit

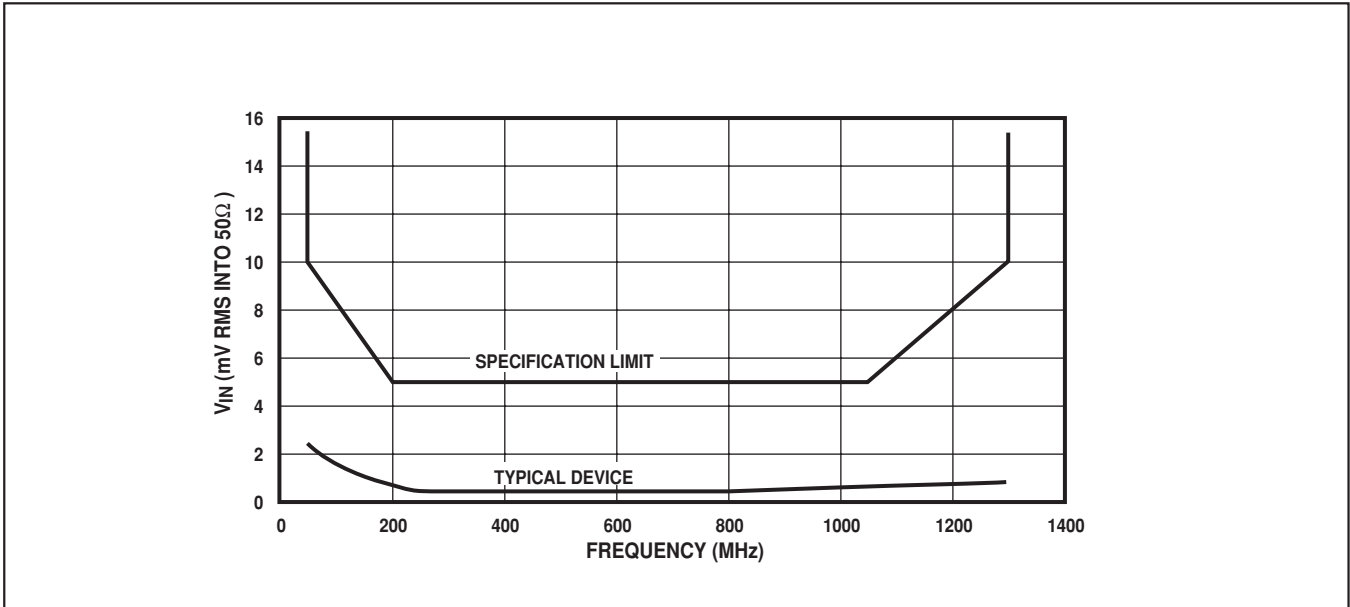


Fig. 5 Typical input sensitivity

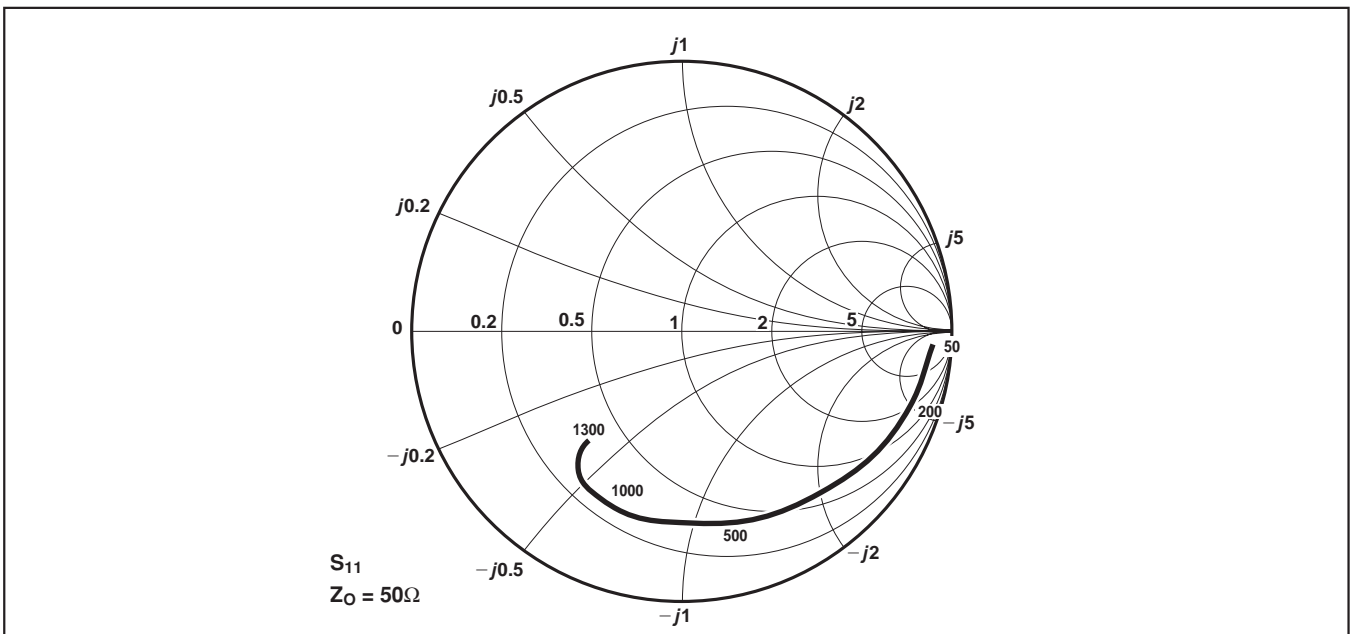


Fig. 6 Typical input impedance (frequencies in MHz)



**For more information about all Zarlink products
visit our Web Site at
www.zarlink.com**

Information relating to products and services furnished herein by Zarlink Semiconductor Inc. trading as Zarlink Semiconductor or its subsidiaries (collectively "Zarlink") is believed to be reliable. However, Zarlink assumes no liability for errors that may appear in this publication, or for liability otherwise arising from the application or use of any such information, product or service or for any infringement of patents or other intellectual property rights owned by third parties which may result from such application or use. Neither the supply of such information or purchase of product or service conveys any license, either express or implied, under patents or other intellectual property rights owned by Zarlink or licensed from third parties by Zarlink, whatsoever. Purchasers of products are also hereby notified that the use of product in certain ways or in combination with Zarlink, or non-Zarlink furnished goods or services may infringe patents or other intellectual property rights owned by Zarlink.

This publication is issued to provide information only and (unless agreed by Zarlink in writing) may not be used, applied or reproduced for any purpose nor form part of any order or contract nor to be regarded as a representation relating to the products or services concerned. The products, their specifications, services and other information appearing in this publication are subject to change by Zarlink without notice. No warranty or guarantee express or implied is made regarding the capability, performance or suitability of any product or service. Information concerning possible methods of use is provided as a guide only and does not constitute any guarantee that such methods of use will be satisfactory in a specific piece of equipment. It is the user's responsibility to fully determine the performance and suitability of any equipment using such information and to ensure that any publication or data used is up to date and has not been superseded. Manufacturing does not necessarily include testing of all functions or parameters. These products are not suitable for use in any medical products whose failure to perform may result in significant injury or death to the user. All products and materials are sold and services provided subject to Zarlink's conditions of sale which are available on request.

Purchase of Zarlink's I²C components conveys a licence under the Philips I²C Patent rights to use these components in an I²C System, provided that the system conforms to the I²C Standard Specification as defined by Philips.

Zarlink and the Zarlink Semiconductor logo are trademarks of Zarlink Semiconductor Inc.

Copyright 2002, Zarlink Semiconductor Inc. All Rights Reserved.

TECHNICAL DOCUMENTATION - NOT FOR RESALE
