

***THIS DOCUMENT IS FOR MAINTENANCE
PURPOSES ONLY AND IS NOT
RECOMMENDED FOR NEW DESIGNS***

SP8704

950MHz VERY LOW CURRENT MULTI-MODULUS DIVIDER

The SP8704 is a switchable divide by 128/129, 64/65 programmable divider with a maximum specified operating frequency of 950MHz.

The signal (clock) inputs are biased internally and require to be capacitor coupled.

The SP8704 will operate from any supply from 3V to 5V and features full electrostatic discharge protection.

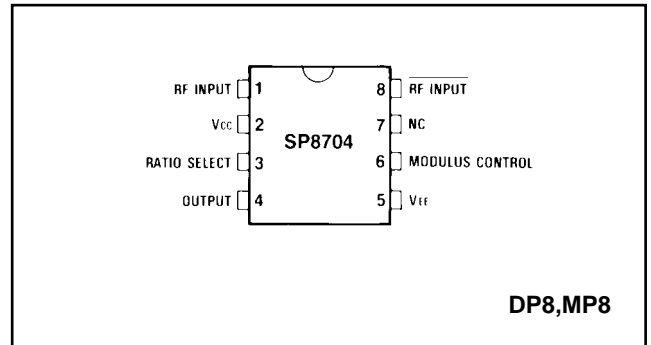


Fig. 1 Pin connections - top view

FEATURES

- DC to 950MHz Operation
- -40°C to +85°C Temperature Range
- Operation from 3V to 5V Supply
- ESD Protection on all Pins

QUICK REFERENCE DATA

- Supply Voltage 3V to 5V
- Supply Current 10mA - Including Output Emitter Follower

ABSOLUTE MAXIMUM RATINGS

Supply voltage	7V
Storage temperature range	-55°C to +125°C
Junction temperature	+175°C
Input voltage	2.5V p-p

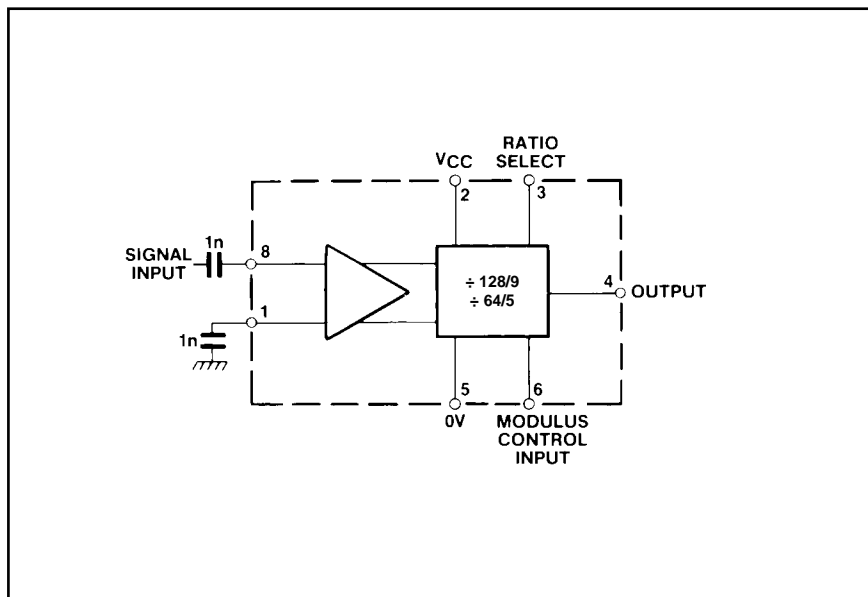


Fig. 2 Functional diagram SP8704

SP8704

ELECTRICAL CHARACTERISTICS

Test conditions (unless otherwise stated):

$T_{amb} = -40^{\circ}C$ to $85^{\circ}C$, $V_{CC} = +2.75V$ to $+5.5V$

Characteristic	Value			Units	Conditions
	Min.	Typ.	Max.		
Supply current		10		mA	Including output emitter follower Sinewave input into 50
Input sensitivity	10MHz		150	mV rms	
	80MHz		25		
	150MHz		15		
	850MHz		15		
	950MHz		50		
Input impedance		50			Emitter follower output current source = 0.75mA
Output		2		pF	
		1		V pk-pk	
Ratio select (pin 3)	LO		1	V	
	HI	V_{CC}		V	
Modulus control (pin 6)	LO		1	V	
	HI	2		V	
Clock to output delay		8		ns	
Set up time		16		ns	
Release time		16		ns	

TRUTH TABLE

Pin 3	Pin 6	Division ratio
L	L	129
L	H	128
H	L	65
H	H	64

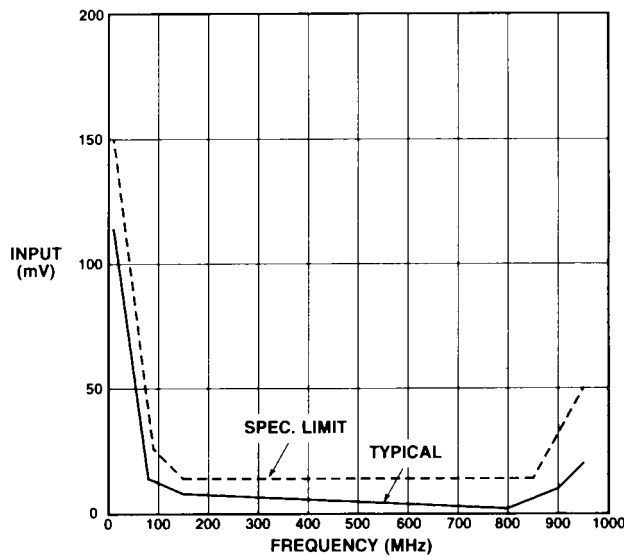


Fig. 3 Typical input sensitivity at 85°C



HEADQUARTERS OPERATIONS
GEC PLESSEY SEMICONDUCTORS
Cheney Manor, Swindon,
Wiltshire SN2 2QW, United Kingdom.
Tel: (0793) 518000
Fax: (0793) 518411

GEC PLESSEY SEMICONDUCTORS
P.O. Box 660017
1500 Green Hills Road,
Scotts Valley, California 95067-0017,
United States of America.
Tel: (408) 438 2900
Fax: (408) 438 5576

CUSTOMER SERVICE CENTRES

- **FRANCE & BENELUX** Les Ulis Cedex Tel: (1) 64 46 23 45 Tx: 602858F
Fax : (1) 64 46 06 07
- **GERMANY** Munich Tel: (089) 3609 06-0 Tx: 523980 Fax : (089) 3609 06-55
- **ITALY** Milan Tel: (02) 66040867 Fax: (02) 66040993
- **JAPAN** Tokyo Tel: (03) 3296-0281 Fax: (03) 3296-0228
- **NORTH AMERICA Integrated Circuits and Microwave Products** Scotts Valley, USA
Tel (408) 438 2900 Fax: (408) 438 7023.
Hybrid Products, Farmingdale, USA Tel (516) 293 8686
Fax: (516) 293 0061.
- **SOUTH EAST ASIA** Singapore Tel: (65) 3827708 Fax: (65) 3828872
- **SWEDEN** Stockholm, Tel: 46 8 702 97 70 Fax: 46 8 640 47 36
- **UNITED KINGDOM & SCANDINAVIA**
Swindon Tel: (0793) 518510 Tx: 444410 Fax : (0793) 518582

These are supported by Agents and Distributors in major countries world-wide.

© GEC Plessey Semiconductors 1992 Publication No. DS3289 Issue No. 1.0 May 1992

This publication is issued to provide information only which (unless agreed by the Company in writing) may not be used, applied or reproduced for any purpose nor form part of any order or contract nor to be regarded as a representation relating to the products or services concerned. No warranty or guarantee express or implied is made regarding the capability, performance or suitability of any product or service. The Company reserves the right to alter without prior knowledge the specification, design or price of any product or service. Information concerning possible methods of use is provided as a guide only and does not constitute any guarantee that such methods of use will be satisfactory in a specific piece of equipment. It is the user's responsibility to fully determine the performance and suitability of any equipment using such information and to ensure that any publication or data used is up to date and has not been superseded. These products are not suitable for use in any medical products whose failure to perform may result in significant injury or death to the user. All products and materials are sold and services provided subject to the Company's conditions of sale, which are available on request.