

***THIS DOCUMENT IS FOR MAINTENANCE  
PURPOSES ONLY AND IS NOT  
RECOMMENDED FOR NEW DESIGNS***

# SP8720

## 300MHz ÷ 3/4

The SP8720 is an ECL two-modulus divider, with ECL10K compatible outputs. It divides by 3 when either of the ECL control inputs, PE1 or PE2, is in the high state and by 4 when both are low (or open circuit). An AC coupled input of 600mVp-p is required.

### FEATURES

- ECL Compatible Outputs
- AC-Coupled Input (Internal Bias)
- Control Inputs ECL III/10K Compatible

### QUICK REFERENCE DATA

- Supply Voltage: -5.2V
- Power Consumption: 240mW
- Temperature Range:
  - 55°C to +125°C (A Grade)
  - 30°C to +70°C (B Grade)

### ABSOLUTE MAXIMUM RATINGS

Supply voltage	-8V
Output current	20mA
Storage temperature range	-65°C to +150°C
Max. junction temperature	+175°C
Max. clock input voltage	2.5V p-p

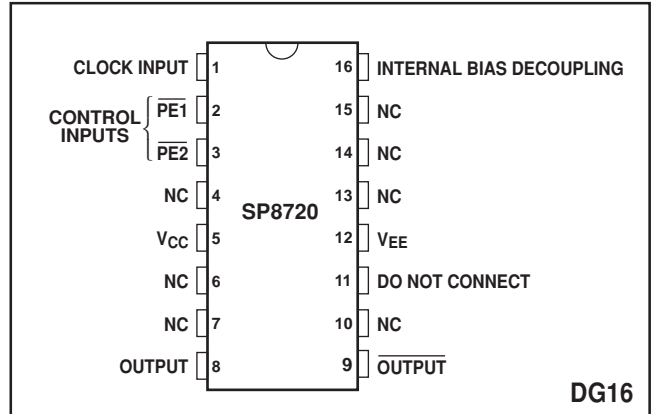


Fig. 1 Pin connections - top view

### ORDERING INFORMATION

**SP8720 A DG**  
**SP8720 B DG**  
**5962-90577 (SMD)**

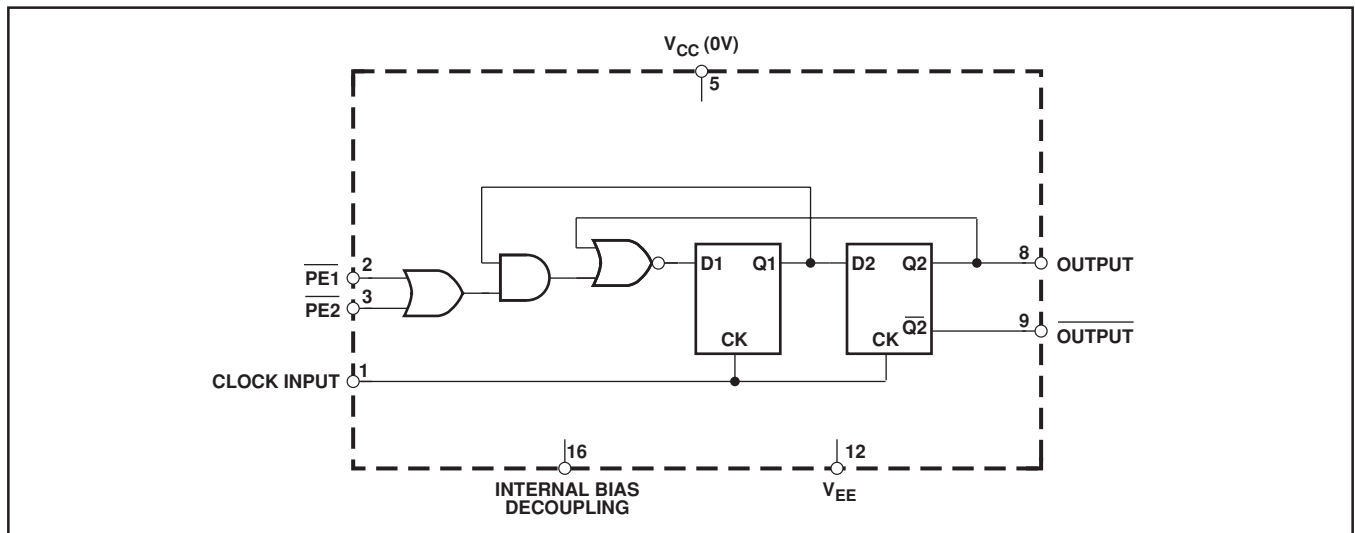


Fig. 2 Functional diagram

**ELECTRICAL CHARACTERISTICS**

Unless otherwise stated, the Electrical Characteristics are guaranteed over specified supply, frequency and temperature range

Supply voltage,  $V_{CC} = 0V$ ,  $V_{EE} = -5.2V \pm 0.25V$

Temperature,  $T_{AMB} = -55^{\circ}C$  to  $+125^{\circ}C$  (A Grade),  $-30^{\circ}C$  to  $+70^{\circ}C$  (B Grade)

Characteristic	Symbol	Value		Units	Conditions	Notes
		Min.	Max.			
Maximum frequency (sinewave input)	$f_{MAX}$	300		MHz	Input = 400-800mV p-p	5
Minimum frequency (sinewave input)	$f_{MIN}$		40	MHz	Input = 400-800mV p-p	5
Power supply current	$I_{EE}$		65	mA	$V_{EE} = -5.2V$	5
Output high voltage	$V_{OH}$	-0.85	-0.7	V	$V_{EE} = -5.2V$ (25°C)	
Output low voltage	$V_{OL}$	-1.8	-1.5	V	$V_{EE} = -5.2V$ (25°C)	
PE input high voltage	$V_{INH}$	-0.93		V	$V_{EE} = -5.2V$ (25°C)	
PE input low voltage	$V_{INL}$		-1.62	V	$V_{EE} = -5.2V$ (25°C)	
Clock to output delay	$t_p$		6	ns		6
Set-up time	$t_s$	2.5		ns		3, 6
Release time	$t_r$	3		ns		4, 6

NOTES

1. The temperature coefficients of  $V_{OH} = +1.63mV/^{\circ}C$ ,  $V_{OL} = +0.94mV/^{\circ}C$  and of  $V_{IN} = +1.22mV/^{\circ}C$ .
2. The test configuration for dynamic testing is shown in Fig.6.
3. The set-up time  $t_s$  is defined as the minimum time that can elapse between L→H transition of control input and the next L→H clock pulse transition to ensure that the ÷3 mode is obtained.
4. The release time  $t_r$  is defined as the minimum time that can elapse between H→L transition of control input and the next L→H clock pulse transition to ensure that the ÷4 mode is obtained.
5. SP8720B tested at 25°C only.
6. Guaranteed but not tested.

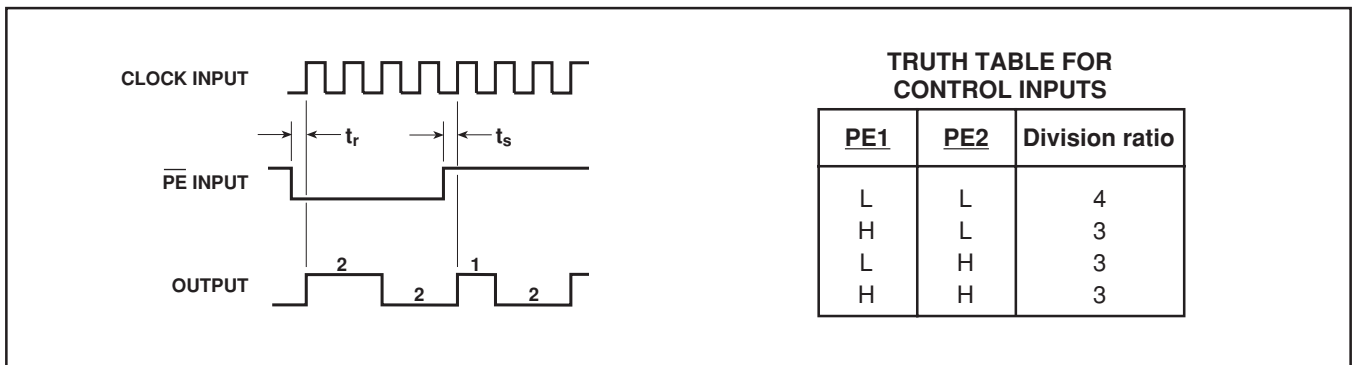


Fig. 3 Timing diagram

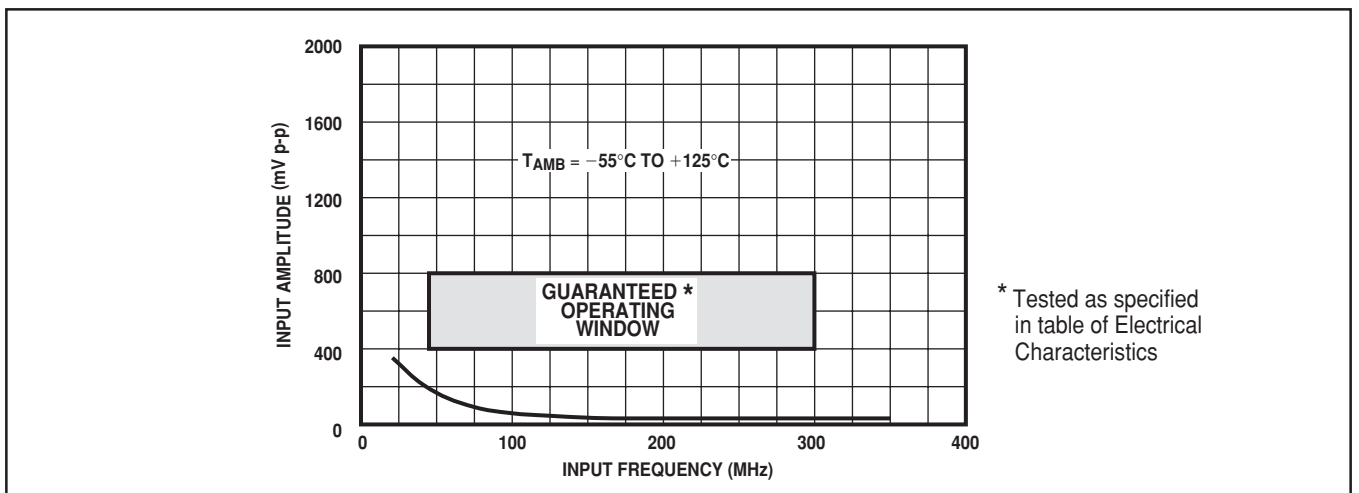


Fig. 4 Typical input characteristic of SP8720A

**OPERATING NOTES**

1. The clock input is biased internally and is coupled to the signal source with a suitable capacitor. The input signal path is completed by an input reference decoupling capacitor which is connected from pin 16 to ground.
2. If no signal is present the device will self-oscillate. If this is undesirable, it may be prevented by connecting a 15kΩ resistor from the clock input (pin 1) to V<sub>EE</sub>. This will reduce the input sensitivity by approximately 100mV.
3. The circuit will operate down to DC but slew rate must be better

- than 100V/μs.
4. The Q and  $\bar{Q}$  outputs are compatible with ECLII but can be interfaced to ECL10K as shown in Fig. 7. There is an internal circuit equivalent to a load of 2kΩ at each output.
5. The PE inputs are ECLIII/10K compatible and include 4.3kΩ pulldown resistors. Unused inputs can therefore be left open.
6. The input impedance of the SP8720 varies as a function of frequency, see Fig. 5.
7. All components should be suitable for the frequency in use.

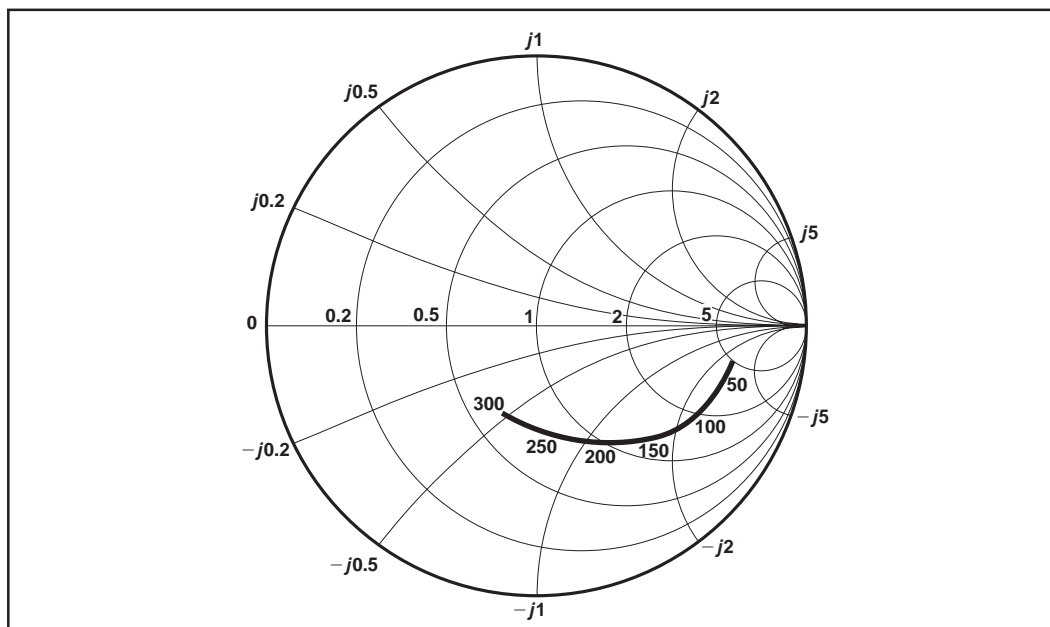


Fig. 5 Typical input impedance. Test conditions: Supply Voltage = -5.2V, Ambient Temperature = 25°C. Frequencies in MHz, impedances normalised to 50Ω.

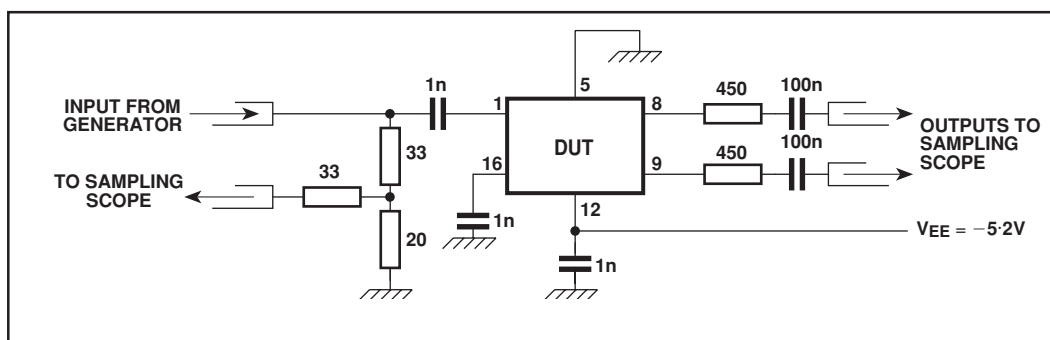


Fig. 6 Test circuit

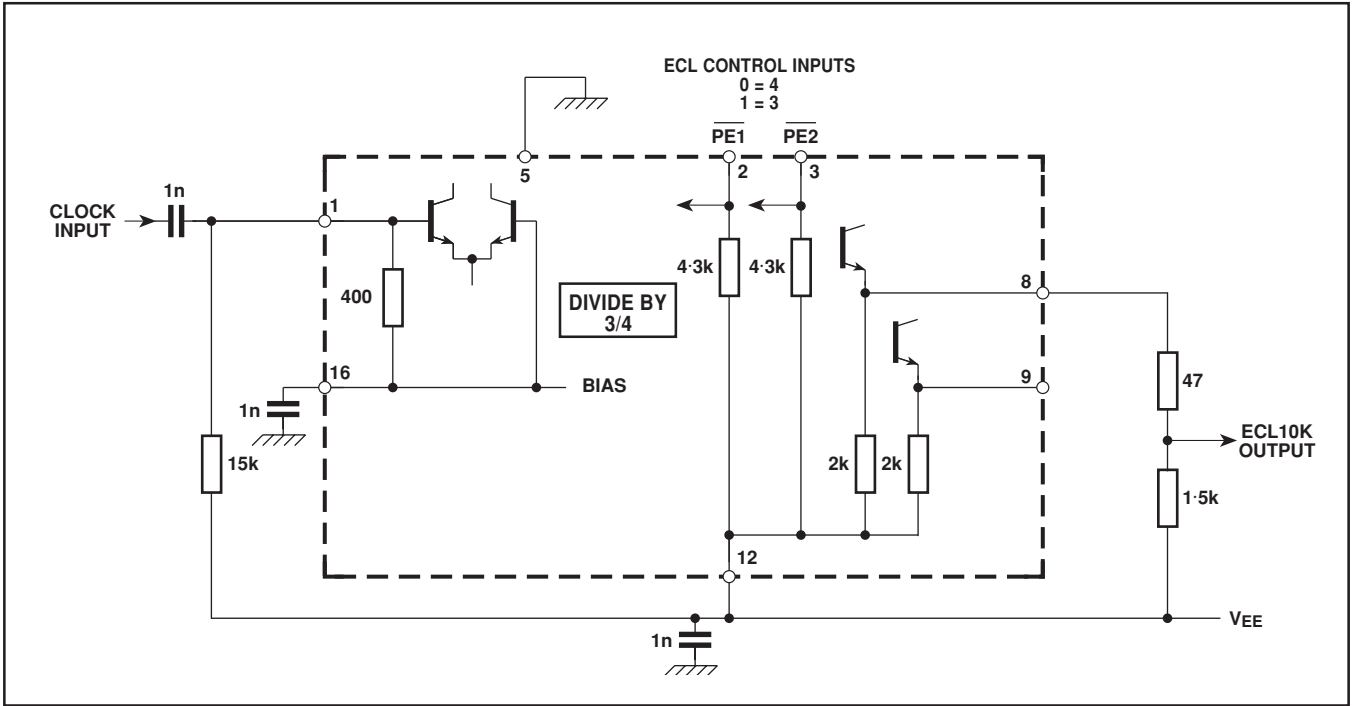
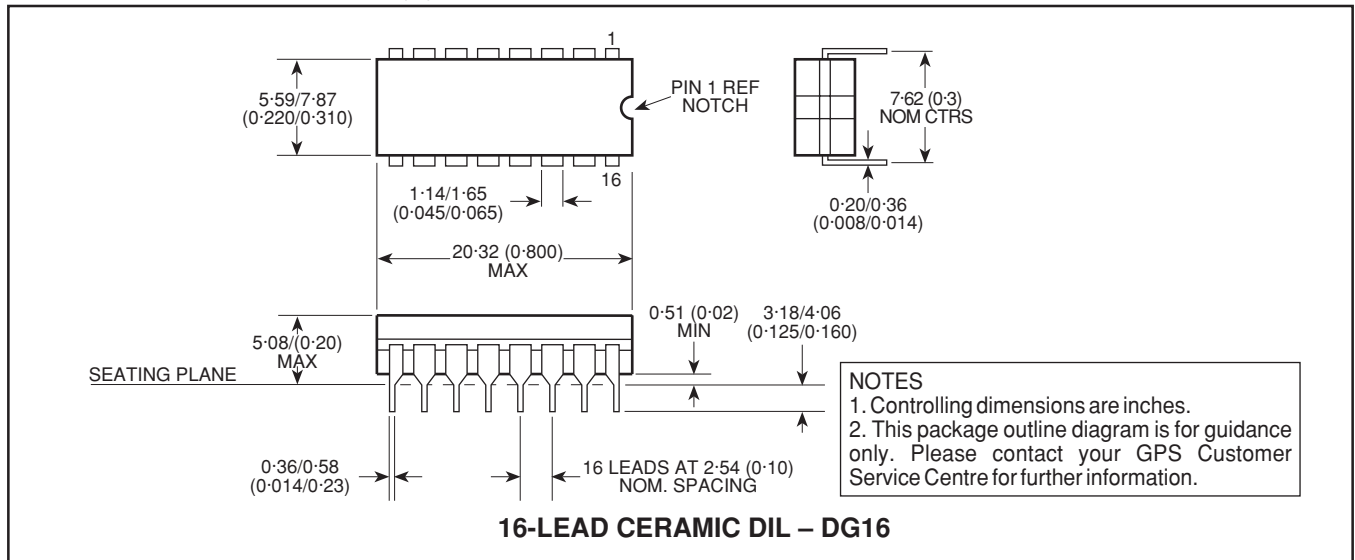


Fig. 7 Typical application circuit showing interfacing

NOTES

**PACKAGE DETAILS**

Dimensions are shown thus: mm (in).



**HEADQUARTERS OPERATIONS**  
**GEC PLESSEY SEMICONDUCTORS**  
 Cheney Manor, Swindon,  
 Wiltshire SN2 2QW, United Kingdom.  
 Tel: (0793) 518000  
 Fax: (0793) 518411

**GEC PLESSEY SEMICONDUCTORS**  
 P.O. Box 660017  
 1500 Green Hills Road,  
 Scotts Valley, CA95067-0017  
 United States of America.  
 Tel (408) 438 2900  
 Fax: (408) 438 5576

**CUSTOMER SERVICE CENTRES**

- **FRANCE & BENELUX** Les Ulis Cedex Tel: (1) 64 46 23 45 Fax : (1) 64 46 06 07
- **GERMANY** Munich Tel: (089) 3609 06-0 Fax : (089) 3609 06-55
- **ITALY** Milan Tel: (02) 66040867 Fax: (02) 66040993
- **JAPAN** Tokyo Tel: (3) 5276-5501 Fax: (3) 5276-5510
- **NORTH AMERICA** Scotts Valley, USA Tel: (408) 438 2900 Fax: (408) 438 7023.
- **SOUTH EAST ASIA** Singapore Tel: (65) 3827708 Fax: (65) 3828872
- **SWEDEN** Stockholm Tel: 46 8 702 97 70 Fax: 46 8 640 47 36
- **UK, EIRE, DENMARK, FINLAND & NORWAY**  
 Swindon Tel: (0793) 518510 Fax : (0793) 518582

These are supported by Agents and Distributors in major countries world-wide.

© GEC Plessey Semiconductors 1994 Publication No. DS3650 Issue No. 1.2 March 1994

This publication is issued to provide information only which (unless agreed by the Company in writing) may not be used, applied or reproduced for any purpose nor form part of any order or contract nor to be regarded as a representation relating to the products or services concerned. No warranty or guarantee express or implied is made regarding the capability, performance or suitability of any product or service. The Company reserves the right to alter without prior knowledge the specification, design or price of any product or service. Information concerning possible methods of use is provided as a guide only and does not constitute any guarantee that such methods of use will be satisfactory in a specific piece of equipment. It is the user's responsibility to fully determine the performance and suitability of any equipment using such information and to ensure that any publication or data used is up to date and has not been superseded. These products are not suitable for use in any medical products whose failure to perform may result in significant injury or death to the user. All products and materials are sold and services provided subject to the Company's conditions of sale, which are available on request.