

ASSP

TIMING EXTRACTION FILTER (50 to 300MHz)

F4 SERIES

■ DESCRIPTION

The F4 series are timing extraction filter used in the high-grade digital transmission equipment like wide-band ISDN. The F4 series uses a single lithium tantalate piezoelectric crystal (LiTaO_3) that has large electromechanical coupling coefficient, and a unique SAW resonator. That provides wide bandwidths, insertion loss, and exceptional stability in VHF band until 300MHz.

■ FEATURES

- Wide frequency range: 50 to 300MHz
- Wide band width: 0.3 to 1.0%
- Low insertion loss: 6dB or less
- Excellent temperature characteristics:
 ± 200 ppm or less (0 to 60°C)
- No adjustment is required due to small frequency deviation:
 $\Delta f_o < \pm 500$ ppm
- High reliable hermetically sealed package
- Small type, and compatible with 14-pin DIP IC

■ PACKAGE



14-pin DIP size metal case

F4 SERIES

■ PIN ASSIGNMENT

Pin number	Pin name	Description
1	IN	Input pin
7	GND	Ground pin
8	NC	No connection
14	OUT	Output pin

(BOTTOM VIEW)

■ MAXIMUM RATINGS

Item	Symbol	Rating	Unit
Operating temperature	Ta	-20 to 80	°C
Storage temperature	Tstg	-30 to 80	°C
Insulation resistance	IR	100 (100V DC)	MΩ
Frequency range	—	50 to 300	MHz

■ RECOMMENDED OPERATING CONDITIONS

Item	Symbol	Rating	Unit
Operating temperature	Ta	0 to 70	°C

■ STANDARD FREQUENCIES

Frequency	Application	Part number
51.84MHz	Wide band ISDN	FAR-F4DA-51M840-G201
97.728MHz	Japanese fourth group	FAR-F4DA-97M728-G201
155.52MHz	Wideband ISDN	FAR-F4DA-155M52-G201

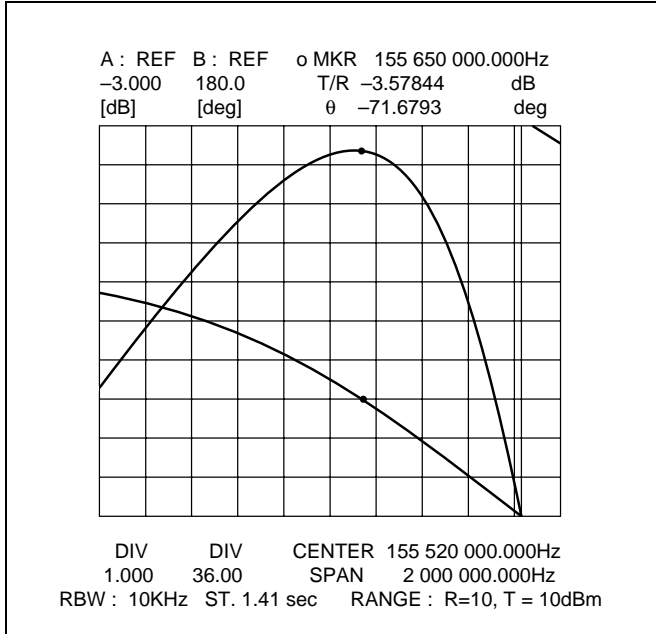
■ ELECTRICAL CHARACTERISTICS

Item	Symbol	Condition	Rated value			Unit	Remarks
			Min.	Typ.	Max.		
Frequency deviation	Δf_0	—	-500	—	+500	ppm	f_0 standard
Load Q	Q	—	100	—	333	—	
Insertion loss	IL	—	—	—	6	dB	
Stop band attenuation	A _{OUT}	$f_0 \pm 10\text{MHz}$	15	—	—	dB	
Frequency temperature stability	$\Delta f (T_a)$	—	-300	—	+300	ppm	25°C standard T _a = 0 to 70°C
Terminate impedance	Z	—	10	—	50	Ω	

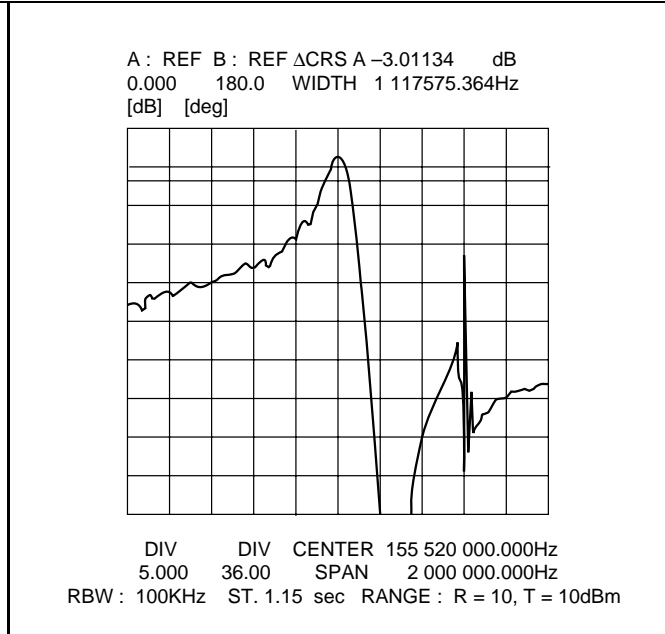
CHARACTERISTICS EXAMPLE

155.52MHz example

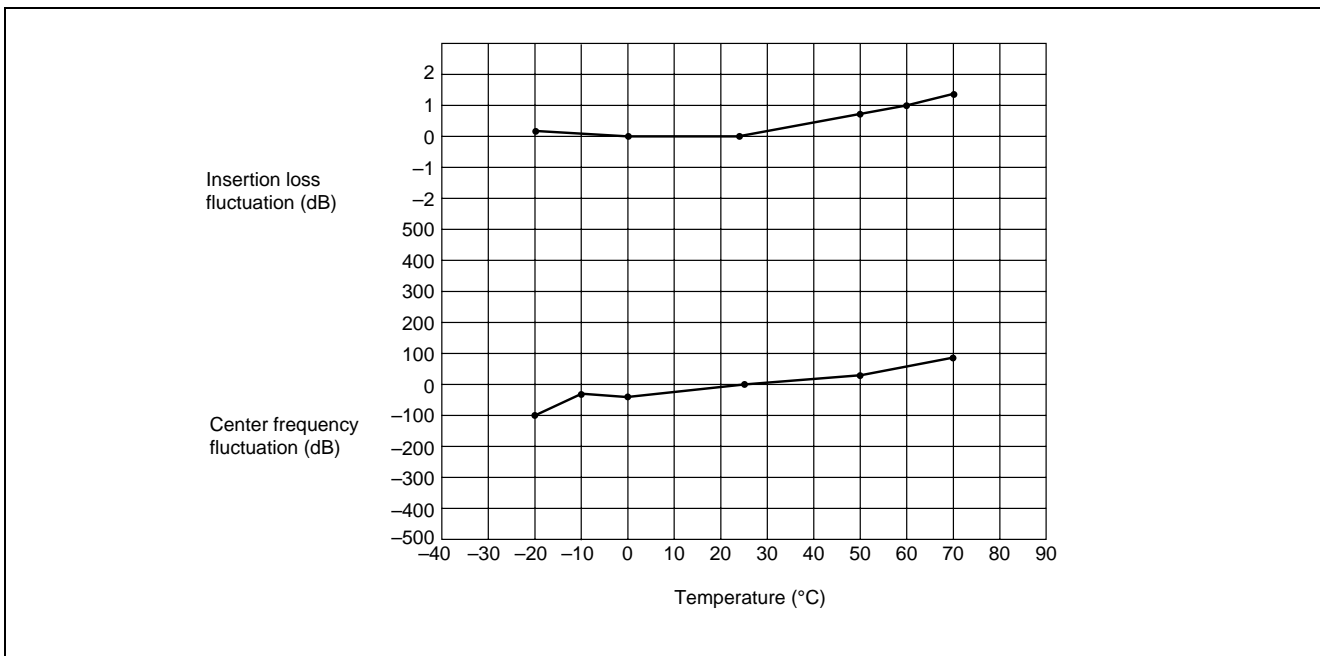
Pass band characteristic



Stop band characteristic



Temperature characteristic



F4 SERIES

■ PART NUMBERING SYSTEM

[Example]

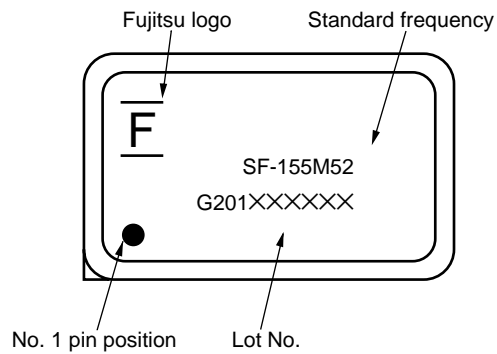
FAR-F4DA-□□□□□□ -G □□□
 u 1

u Frequency designation : Designate the standard frequency in six characters.
M indicates the decimal point in MHz.

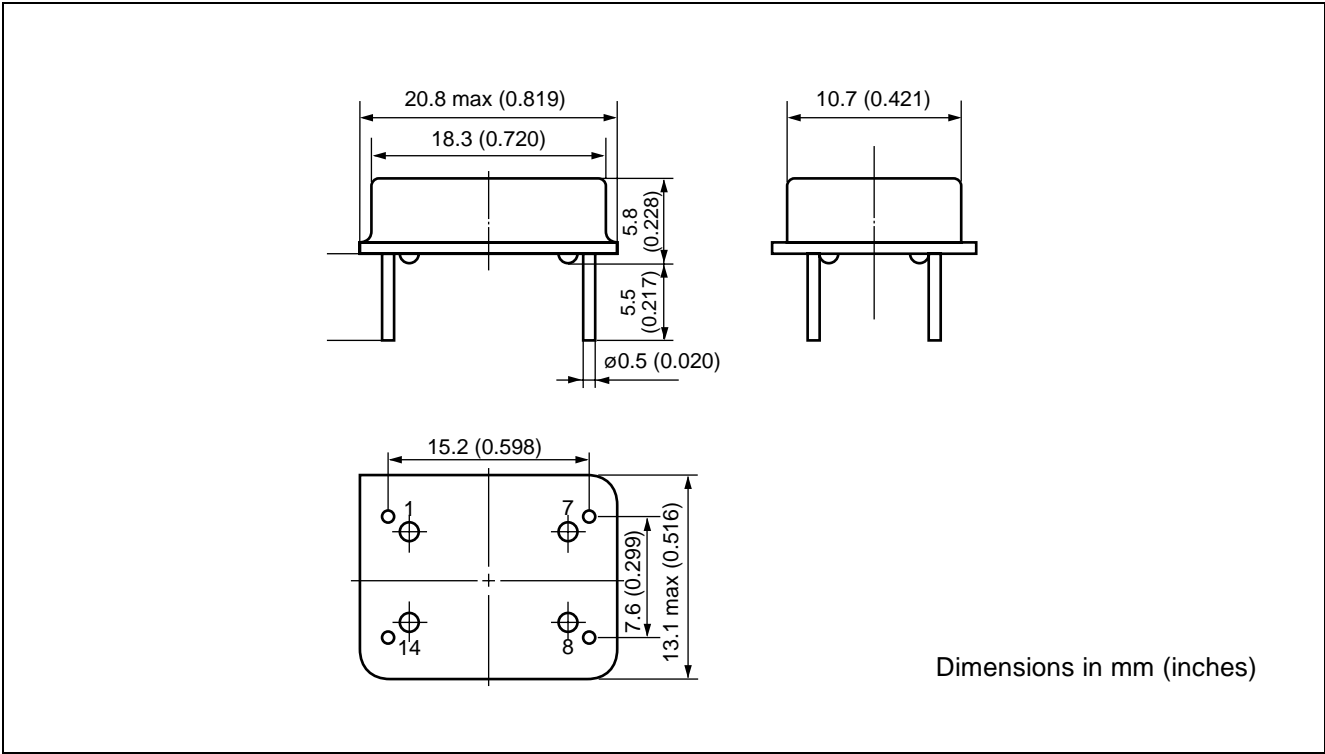
Frequency	Designation
51.84 MHz	51M840
97.728 MHz	97M728
115.52 MHz	115M52

1 Serial number : Specify 201 to 999 (201 is normal).

■ MARKING



■ DIMENSIONS



FUJITSU LIMITED

For further information please contact:

Japan

FUJITSU LIMITED
Corporate Global Business Support Division
Electronic Devices
KAWASAKI PLANT, 4-1-1, Kamikodanaka
Nakahara-ku, Kawasaki-shi
Kanagawa 211-88, Japan
Tel: (044) 754-3753
Fax: (044) 754-3332

North and South America

FUJITSU MICROELECTRONICS, INC.
Semiconductor Division
3545 North First Street
San Jose, CA 95134-1804, U.S.A.
Tel: (408) 922-9000
Fax: (408) 432-9044/9045

Europe

FUJITSU MIKROELEKTRONIK GmbH
Am Siebenstein 6-10
63303 Dreieich-Buchschlag
Germany
Tel: (06103) 690-0
Fax: (06103) 690-122

Asia Pacific

FUJITSU MICROELECTRONICS ASIA PTE. LIMITED
No. 51 Bras Basah Road,
Plaza By The Park,
#06-04 to #06-07
Singapore 189554
Tel: 336-1600
Fax: 336-1609

All Rights Reserved.

Circuit diagrams utilizing Fujitsu products are included as a means of illustrating typical semiconductor applications. Complete Information sufficient for construction purposes is not necessarily given.

The information contained in this document has been carefully checked and is believed to be reliable. However, Fujitsu assumes no responsibility for inaccuracies.

The Information contained in this document does not convey any license under the copyrights, patent rights or trademarks claimed and owned by Fujitsu.

Fujitsu reserves the right to change products or specifications without notice.

No part of this publication may be copied or reproduced in any form or by any means, or transferred to any third party without prior written consent of Fujitsu.

The information contained in this document is not intended for use with equipments which require extremely high reliability such as aerospace equipments, undersea repeaters, nuclear control systems or medical equipments for life support.