

ASSP

CMOS

HIGH-POWER AMPLIFIER

MB54503

■ DESCRIPTION

The Fujitsu MB54503 is a high-power amplifier which is used for mobile telecommunication systems such as handy phones and car phones. This device is ideally suitable for power amplifier driver.

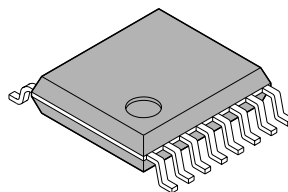
Using Fujitsu's advanced technology, MB54503 achieves an I_{cc} of 26.0mA (typ.).

■ FEATURES

- Supply voltage 3.6V (typ.)
 - Current consumption 26mA (typ.)
 - Input frequency 1.1GHz (max.)
 - Gain 25dB (typ.)^{*1}
 - Output level (@Pin=-8dBm) +13dBm (typ.)^{*1}
 - Input return loss 14dBm (typ.)^{*1}
 - Output return loss 6dB (typ.)^{*1}
- *1: Measured by the circuit of "measurement circuit example".
($f_{in} = 933\text{MHz}$)
- 16-pin Plastic Shrink Small Outline Package (Suffix: -PFV)

■ PACKAGE

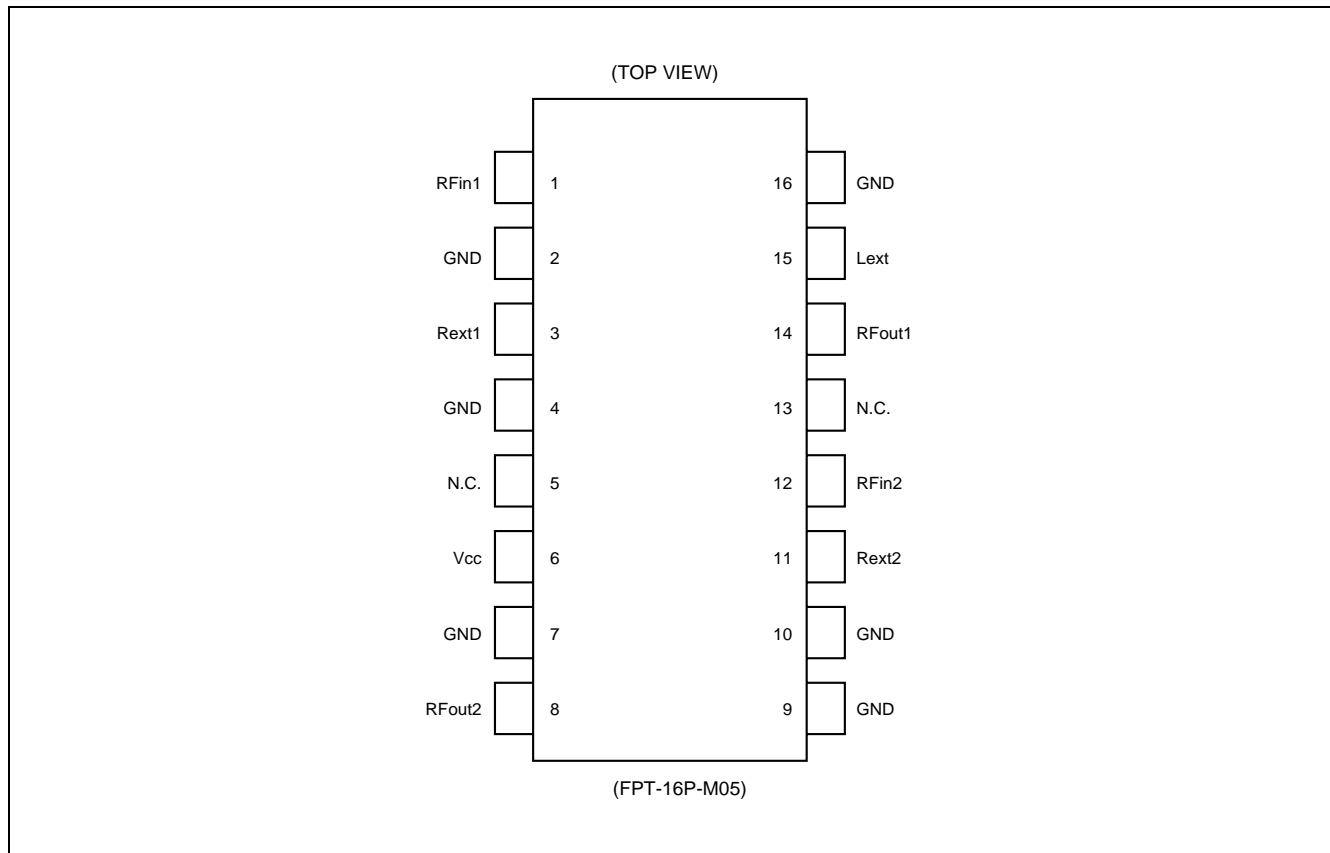
PLASTIC PACKAGE



(FP-16P-M05)

MB54503

■ PIN ASSIGNMENT

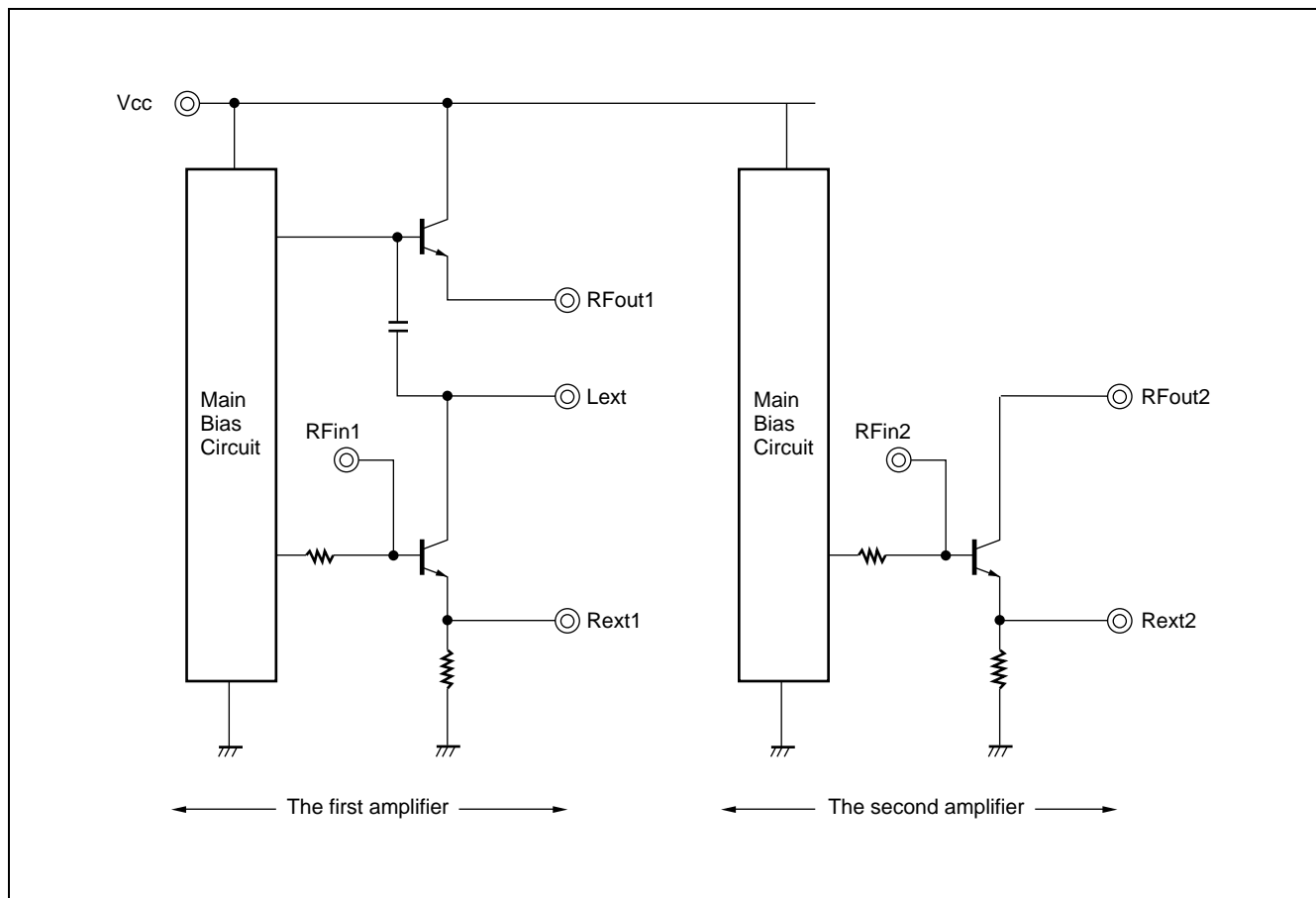


■ ABSOLUTE MAXIMUM RATINGS

Parameters	Symbol	Value	Unit
Supply Voltage	V_{CC}	-0.5 to 7.0	V
Output Voltage	V_O	-0.5 to $V_{CC} + 0.5$	V
Output Current	I_O	0 to 10	mA
Storage Temperature	T_{STG}	-55 to +125	°C

Note: Permanent device damage may occur if the above Absolute Maximum Ratings are exceeded. Functional operation should be restricted to the conditions as detailed in the operational sections of this data sheet. Exposure to absolute maximum rating conditions for extended periods may affect device reliability.

■ EQUIVALENT CIRCUIT



■ PIN DESCRIPTION

Pin No.	Pin Name	Description	Pin No.	Pin Name	Description
1	RFin1	The first amplifier input	9	GND	Ground
2	GND	Ground	10	GND	Ground
3	Rext1	Emitter for the first amplifier	11	Rext2	Emitter of the second amplifier
4	GND	Ground	12	RFin2	The second amplifier input
5	N.C.	No connection	13	N.C.	No connection
6	Vcc	Power supply	14	RFout1	The first amplifier output
7	GND	Ground	15	Lext	Load connecting for the first amplifier
8	RFout2	The second amplifier output	16	GND	Ground

MB54503

■ RECOMMENDED OPERATING CONDITIONS

(V_{CC} = +3.6V, T_a = 25°C)

Parameter	Symbol	Value			Unit
		Min.	Typ.	Max.	
Supply Voltage	V _{CC}	2.7	3.6	5.0	V
Input Voltage	V _I	GND	—	V _{CC}	V
Operating Temperature	T _a	-40	—	+85	°C

Notes: To protect against damage by electrostatic discharge, note the following handling precautions:

- Store and transport devices in conductive containers.
- Use properly grounded workstations, tools, and equipment.
- Turn off power before inserting or removing this device into or from a socket.
- Protect leads with conductive sheet, when transporting a board mounted device.

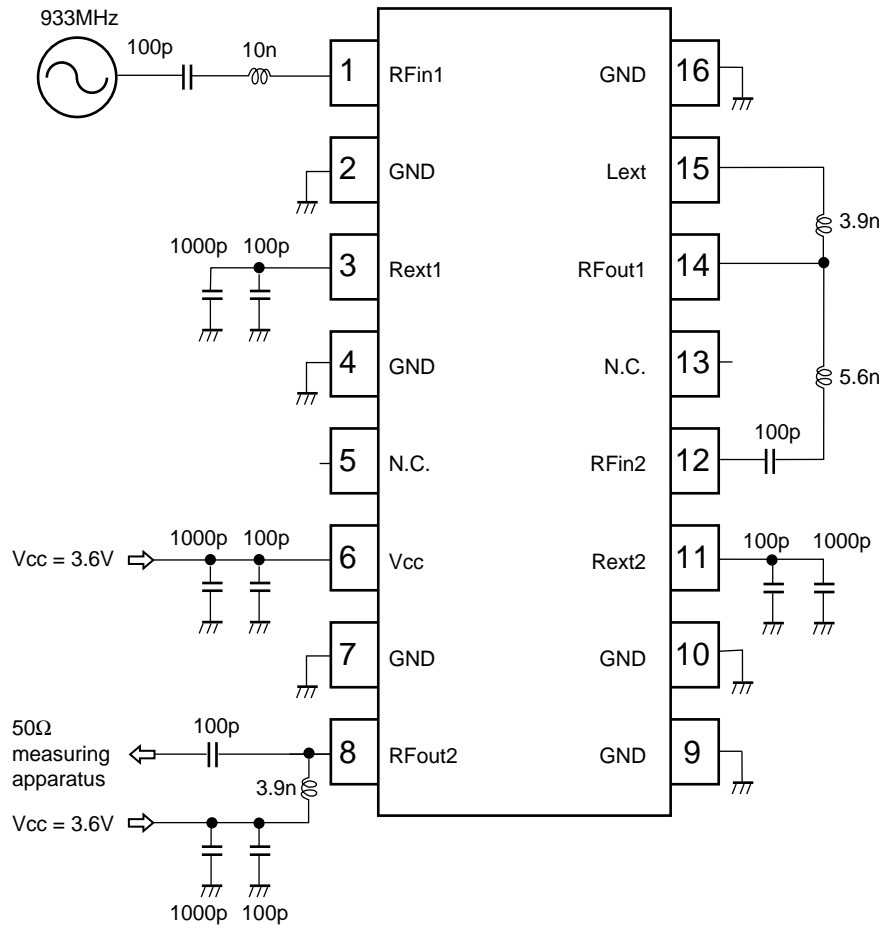
■ ELECTRICAL CHARACTERISTICS

(V_{CC} = +3.6V, T_a = 25°C)

Parameter	Symbol	Conditions	Target Value			Unit
			Min.	Typ.	Max.	
Supply Voltage	V _{CC}	—	2.7	3.6	5.0	V
Supply Current	I _{CC}	—	—	26	—	mA
Operating Frequency	f _{in}	—	—	933	1100	MHz
Gain	Gain	—	—	25	—	dB
Output Power	P _{out}	P _{in} = -8dBm	—	+13	—	dBm
Input Return Loss	RL _{IN}	—	—	14	—	dB
Output Return Loss	RL _{OUT}	—	—	6	—	dB

Remark: Electrical characteristics depend on external circuits (elements) or status of mounting.
The above characteristics are measured by the test circuit in the next page.

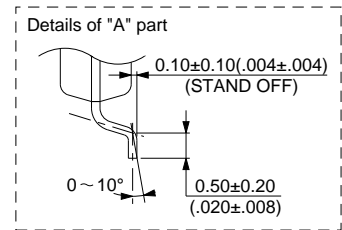
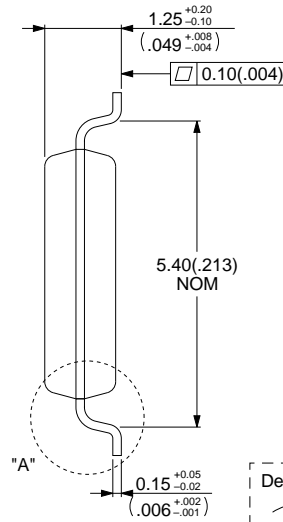
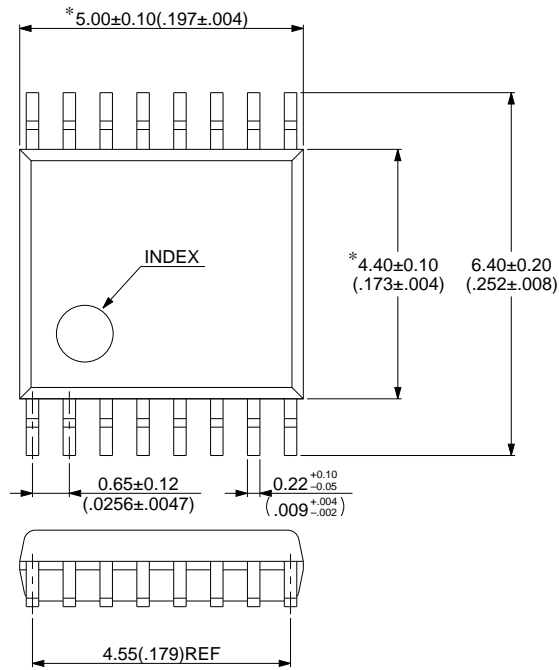
MEASUREMENT CIRCUIT (EXAMPLE)



■ PACKAGE DIMENSIONS

16 pins, Plastic SSOP
(FPT-16P-M05)

*:These dimensions do not include resin protrusion.



Dimensions in mm (inches)

FUJITSU LIMITED

For further information please contact:

Japan

FUJITSU LIMITED
Corporate Global Business Support Division
Electronic Devices
KAWASAKI PLANT, 4-1-1, Kamikodanaka
Nakahara-ku, Kawasaki-shi
Kanagawa 211-88, Japan
Tel: (044) 754-3763
Fax: (044) 754-3329

North and South America

FUJITSU MICROELECTRONICS, INC.
Semiconductor Division
3545 North First Street
San Jose, CA 95134-1804, U.S.A.
Tel: (408) 922-9000
Fax: (408) 432-9044/9045

Europe

FUJITSU MIKROELEKTRONIK GmbH
Am Siebenstein 6-10
63303 Dreieich-Buchsschlag
Germany
Tel: (06103) 690-0
Fax: (06103) 690-122

Asia Pacific

FUJITSU MICROELECTRONICS ASIA PTE. LIMITED
#05-08, 151 Lorong Chuan
New Tech Park
Singapore 556741
Tel: (65) 281-0770
Fax: (65) 281-0220

All Rights Reserved.

The contents of this document are subject to change without notice. Customers are advised to consult with FUJITSU sales representatives before ordering.

The information and circuit diagrams in this document presented as examples of semiconductor device applications, and are not intended to be incorporated in devices for actual use. Also, FUJITSU is unable to assume responsibility for infringement of any patent rights or other rights of third parties arising from the use of this information or circuit diagrams.

FUJITSU semiconductor devices are intended for use in standard applications (computers, office automation and other office equipment, industrial, communications, and measurement equipment, personal or household devices, etc.).

CAUTION:

Customers considering the use of our products in special applications where failure or abnormal operation may directly affect human lives or cause physical injury or property damage, or where extremely high levels of reliability are demanded (such as aerospace systems, atomic energy controls, sea floor repeaters, vehicle operating controls, medical devices for life support, etc.) are requested to consult with FUJITSU sales representatives before such use. The company will not be responsible for damages arising from such use without prior approval.

Any semiconductor devices have inherently a certain rate of failure. You must protect against injury, damage or loss from such failures by incorporating safety design measures into your facility and equipment such as redundancy, fire protection, and prevention of over-current levels and other abnormal operating conditions.

If any products described in this document represent goods or technologies subject to certain restrictions on export under the Foreign Exchange and Foreign Trade Control Law of Japan, the prior authorization by Japanese government should be required for export of those products from Japan.

F9703

© FUJITSU LIMITED Printed in Japan