

ASSP

Bidirectional Motor Driver

MB3763H

■ DESCRIPTION

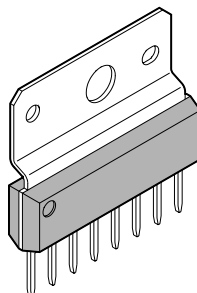
Fujitsu's MB3763H Motor Driver with forward/reverse control capability, is used in applications such as the front-loading mechanism in video cassette recorder or the auto-reverse tape deck, driven by a TTL signal. The MB3763H has 300 mA drive units and braking capability with TTL control. The MB3763H has wider power supply voltage range comparison with MB3763H. Suitable for 24V monitors for office automation equipments.

■ FEATURES

- Motor drive current: 300 mA maximum
- Wide power supply voltage range: 4 V to 28 V
- TTL-control capability
- Standby capability when input is off.
- Brake capability at motor stop mode.
- Built-in diode for surge absorption.
- Package: 8-pin plastic SIP package (Suffix: -PS)

■ PACKAGE

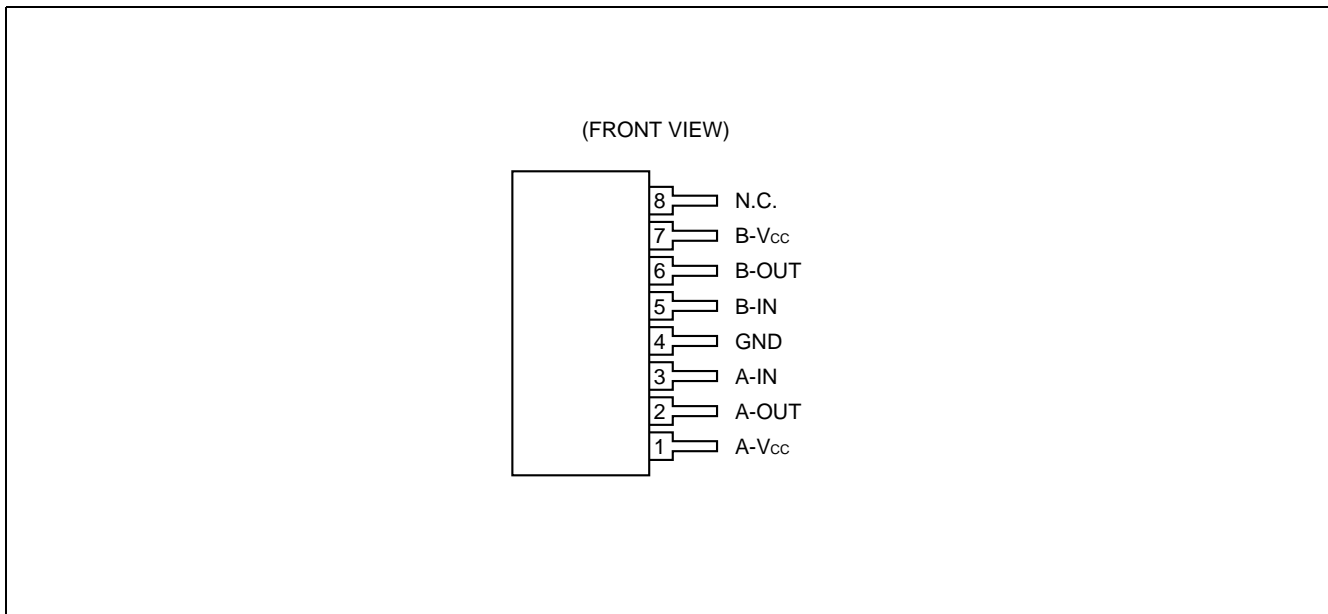
8-pin plastic SIP



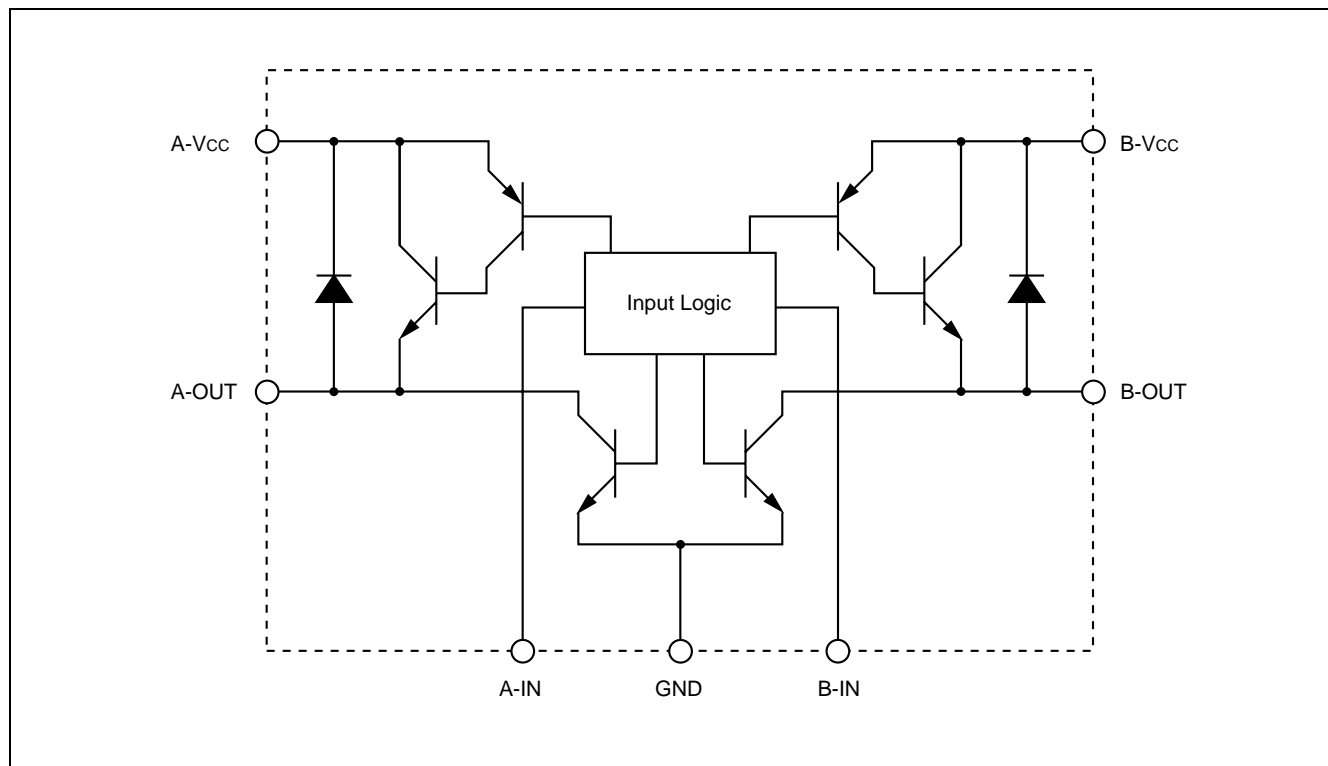
(SIP-8P-M01)

MB3763H

■ PIN ASSIGNMENT



■ BLOCK DIAGRAM



MB3763H

■ ABSOLUTE MAXIMUM RATINGS

Parameter	Symbol	Rating		Unit
		Min.	Max.	
Power supply voltage	V _{CC}	—	28	V
Output current	I _O	—	550* ¹	mA
Maximum output current	I _O MAX* ³	—	1.2	A
Power dissipation	P _D	—	2* ²	W
Operating temperature	T _{OP}	−20	+75	°C
Storage temperature	T _{STG}	−55	+125	°C

Notes: *1 $t_{ON} \leq 1$ s, Duty = 50%

*2 $T_a \leq 30^\circ\text{C}$

*3 $t \leq 5$ ms

WARNING: Semiconductor devices can be permanently damaged by application of stress (voltage, current, temperature, etc.) in excess of absolute maximum ratings. Do not exceed these ratings.

■ RECOMMENDED OPERATING CONDITIONS

Parameter	Symbol	Value		Unit
		Min.	Max.	
Power supply voltage	V _{CC}	4	28	V
Output current	I _O	0	300 (500* ¹)	mA
Input high voltage	V _{IH} * ²	2.4	V _{CC} +0.3	V
Input low voltage	V _{IL}	0	0.4	V

Notes: *1 $t_{ON} \leq 1$ s, Duty = 50%

*2 When $V_{IH} \geq V_{CC}$, $I_{IH} \leq V_{CC} \times 0.2$ mA

WARNING: The recommended operating conditions are required in order to ensure the normal operation of the semiconductor device. All of the device's electrical characteristics are warranted when the device is operated within these ranges.

Always use semiconductor devices within their recommended operating condition ranges. Operation outside these ranges may adversely affect reliability and could result in device failure.

No warranty is made with respect to uses, operating conditions, or combinations not represented on the data sheet. Users considering application outside the listed conditions are advised to contact their FUJITSU representatives beforehand.

■ ELECTRICAL CHARACTERISTICS

($V_{CC} = 24V$, $I_o = 300\text{ mA}$, $T_a = +25^\circ\text{C}$)

Parameter	Symbol	Condition	Value			Unit
			Min.	Typ.	Max.	
Standby supply current	I_{CC0}	$V_{CC} = 24\text{ V}$, $V_{IA} = V_{IB} = 0\text{ V}$	—	—	0.1	mA
Power supply current	I_{CC1}	$I_o = 0\text{ mA}$	—	12	27	mA
	I_{CC2}	$I_o = 300\text{ mA}$	—	15	—	mA
	I_{CC3}	$I_o = 0\text{ mA}$, $V_{IA} = V_{IB} = 2.4\text{ V}$	—	18	—	mA
Output high voltage	V_{OH}	—	22.8	23.1	—	V
Output low voltage	V_{OL}	—	—	0.2	0.5	V
Output saturation voltage	V_{SAT}	—	—	1.1	1.7	V
Input current	I_{IH}	$V_{IN} = 2.4\text{ V}$	—	250	400	μA
Input switching prohibition time	T_{OFF}	—	10	—	—	μs

MB3763H

FUNCTIONAL DESCRIPTIONS

FORWARD/REVERSE MODE (MODE B & C)

In this mode, the transistor pairs Q2-Q3 and Q1-Q4 work alternatively, changing the output current direction.

When the mode B is selected, Q2 and Q3 are active and Q1 and Q4 are inactive. Therefore A-OUT is at low level and B-OUT is at high level, with the current flowing from B-OUT to A-OUT through the motor. On the other hand, when the mode C is selected, the current flows in the reverse direction.

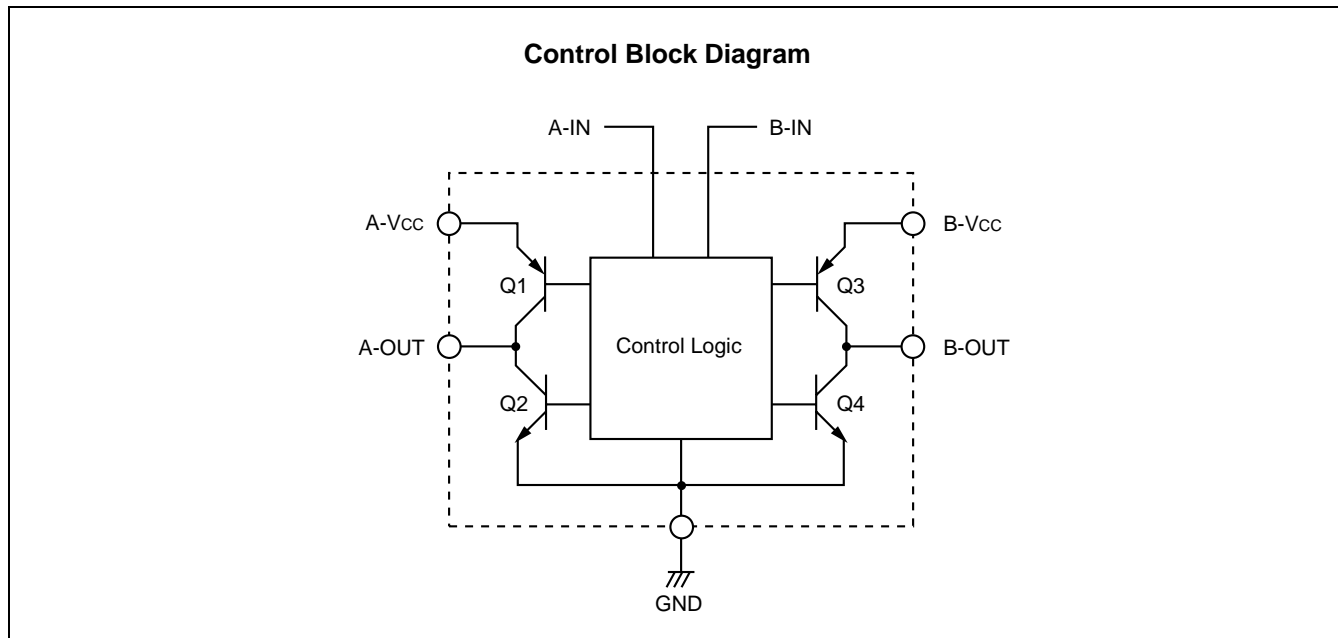
BRAKE/STOP MODE (MODE A)

When the mode A is selected, Q1 and Q3 are inactive and Q2 and Q4 are active. A-OUT and B-OUT are stuck at low-level; terminal of motor are shorted and the motor is forced to stop.

STANDBY MODE (MODE D)

In this mode, all transistors are inactive and the current through the motor does not flow. When the power supply voltage is applied to A-Vcc and B-Vcc, the supply current is still less than or equal to 0.1 mA.

CONTROL MODE

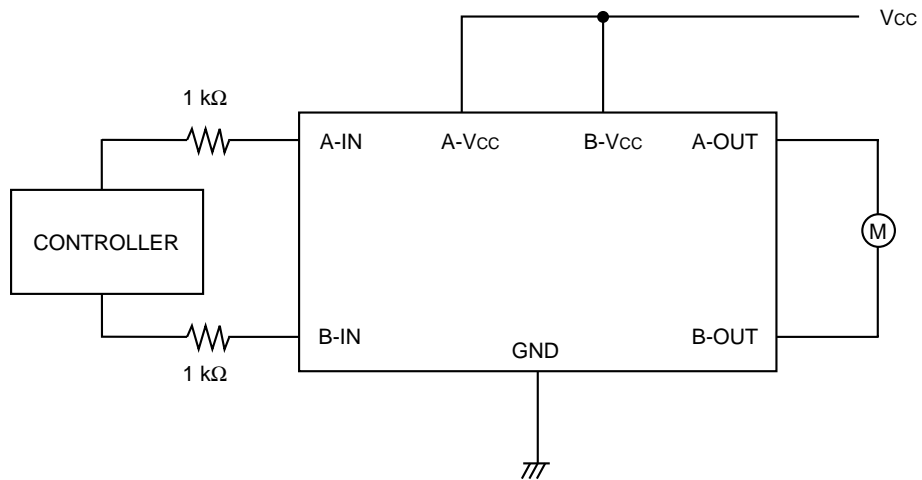


Mode	Input mode		Output mode		Operation
	A-IN	B-IN	A-OUT	B-OUT	
A	1	1	L	L	Short (Brake)
B	1	0	L	H	Forward
C	0	1	H	L	Reverse
D	0	0	—	—	Open (Standby)

Notes: 1: $\geq 2.4\text{ V}$
0: $\leq 0.4\text{ V}$

■ TYPICAL APPLICATION

Typical Application Example

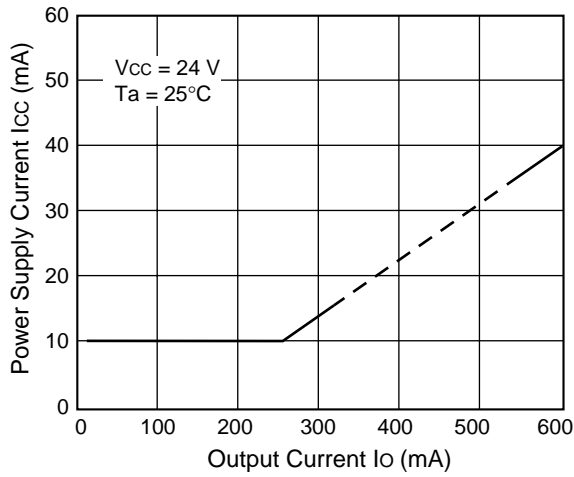


Note : In the case the control voltage is input when the power supply voltage is not applied because of the time lag between those two voltages, excess current flows into IC from the input terminals. In this case, please connect a resistor ($\geq 1\text{ k}\Omega$) serially to input pin in order to prevent excess current flow.

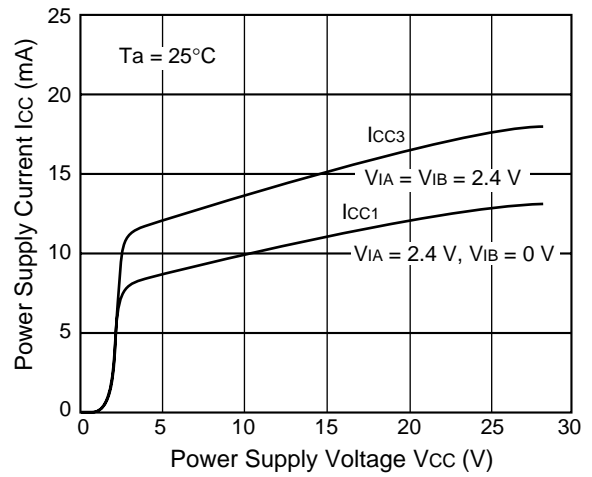
MB3763H

■ TYPICAL PERFORMANCE CHARACTERISTICS

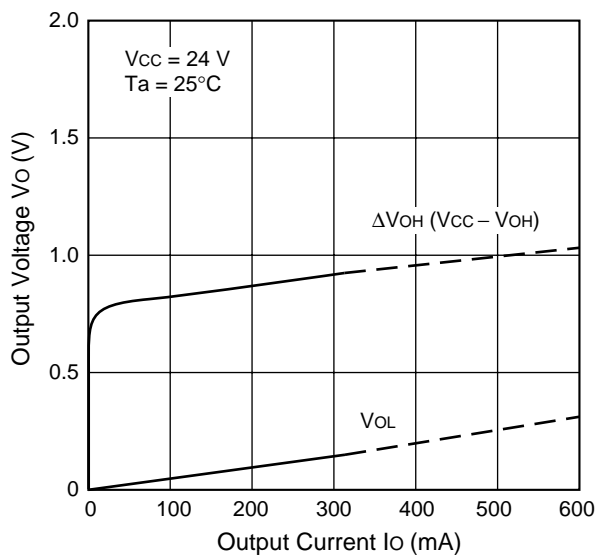
Output Current vs. Power Supply Current



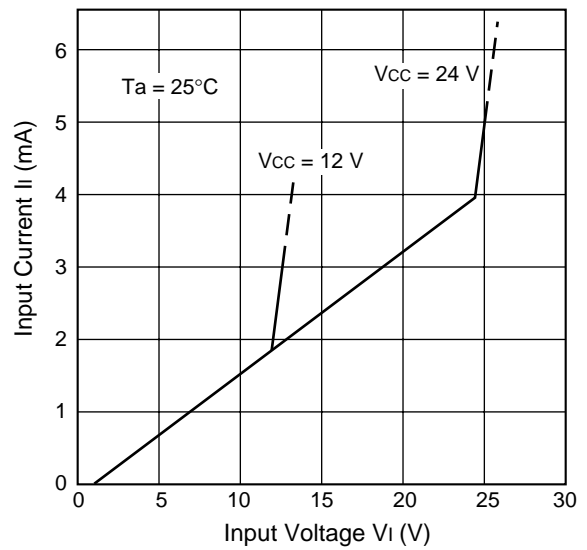
Power Supply Voltage vs. Power Supply Current



Output Current vs. Output Voltage

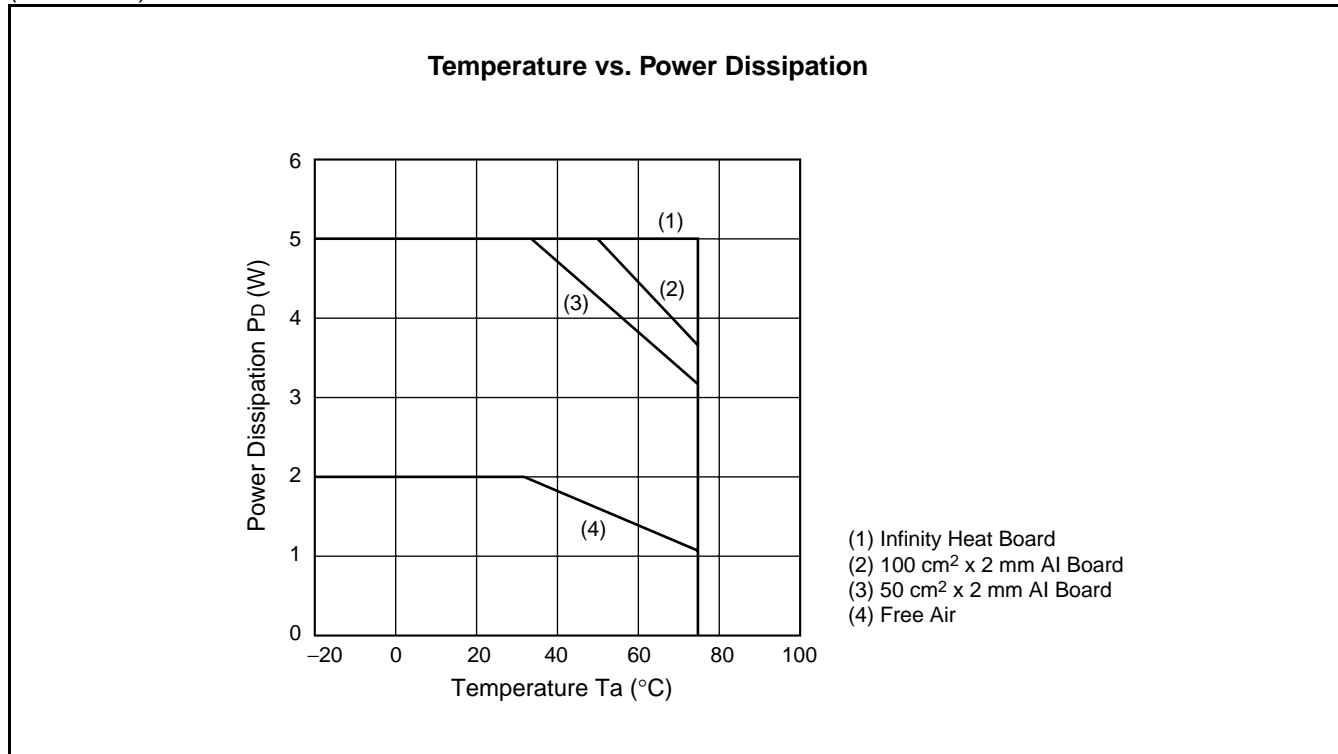


Input voltage vs. Input Current



(Continued)

(Continued)



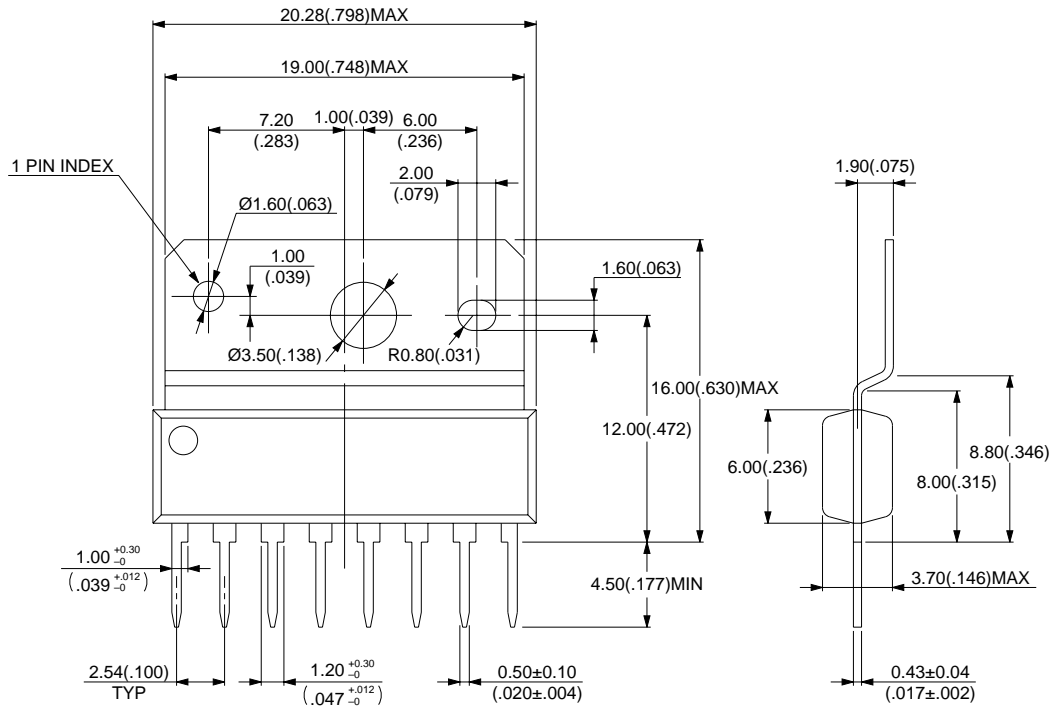
■ ORDERING INFORMATION

Part number	Package	Remarks
MB3763HPS	8-pin, plastic SIP (SIP-8P-M01)	

MB3763H

■ PACKAGE DIMENSION

8-pin plastic SIP
(SIP-8P-M01)



© 1994 FUJITSU LIMITED S08004S-6C-3

Dimensions in mm (inches)

FUJITSU LIMITED

For further information please contact:

Japan

FUJITSU LIMITED
Corporate Global Business Support Division
Electronic Devices
KAWASAKI PLANT, 4-1-1, Kamikodanaka,
Nakahara-ku, Kawasaki-shi,
Kanagawa 211-8588, Japan
Tel: +81-44-754-3763
Fax: +81-44-754-3329

<http://www.fujitsu.co.jp/>

North and South America

FUJITSU MICROELECTRONICS, INC.
3545 North First Street,
San Jose, CA 95134-1804, USA
Tel: +1-408-922-9000
Fax: +1-408-922-9179

Customer Response Center
Mon. - Fri.: 7 am - 5 pm (PST)
Tel: +1-800-866-8608
Fax: +1-408-922-9179

<http://www.fujitsumicro.com/>

Europe

FUJITSU MICROELECTRONICS EUROPE GmbH
Am Siebenstein 6-10,
D-63303 Dreieich-Buchsschlag,
Germany
Tel: +49-6103-690-0
Fax: +49-6103-690-122

<http://www.fujitsu-fme.com/>

Asia Pacific

FUJITSU MICROELECTRONICS ASIA PTE LTD
#05-08, 151 Lorong Chuan,
New Tech Park,
Singapore 556741
Tel: +65-281-0770
Fax: +65-281-0220

<http://www.fmap.com.sg/>

F0002

© FUJITSU LIMITED Printed in Japan

All Rights Reserved.

The contents of this document are subject to change without notice.

Customers are advised to consult with FUJITSU sales representatives before ordering.

The information and circuit diagrams in this document are presented as examples of semiconductor device applications, and are not intended to be incorporated in devices for actual use. Also, FUJITSU is unable to assume responsibility for infringement of any patent rights or other rights of third parties arising from the use of this information or circuit diagrams.

The contents of this document may not be reproduced or copied without the permission of FUJITSU LIMITED.

FUJITSU semiconductor devices are intended for use in standard applications (computers, office automation and other office equipments, industrial, communications, and measurement equipments, personal or household devices, etc.).
CAUTION:

Customers considering the use of our products in special applications where failure or abnormal operation may directly affect human lives or cause physical injury or property damage, or where extremely high levels of reliability are demanded (such as aerospace systems, atomic energy controls, sea floor repeaters, vehicle operating controls, medical devices for life support, etc.) are requested to consult with FUJITSU sales representatives before such use. The company will not be responsible for damages arising from such use without prior approval.

Any semiconductor devices have inherently a certain rate of failure. You must protect against injury, damage or loss from such failures by incorporating safety design measures into your facility and equipment such as redundancy, fire protection, and prevention of over-current levels and other abnormal operating conditions.

If any products described in this document represent goods or technologies subject to certain restrictions on export under the Foreign Exchange and Foreign Trade Control Law of Japan, the prior authorization by Japanese government should be required for export of those products from Japan.