

November 1996

FM IF System

Features

- Includes IF Amplifier, Quadrature Detector, AF Pre-amplifier, and Specific Circuits for AGC, AFC, Tuning Meter, Deviation-Noise Muting, and ON Channel Detector
- FM IF Amplifier Applications in High-Fidelity, Automotive, and Communications Receivers
- Exceptional Limiting Sensitivity $-12\mu\text{V}$ (Typ) at -3dB Point
- Low Distortion -0.1% (Typ) (with Double-Tuned Coil)
- Single-Coil Tuning Capability
- Improved S + N/N Ratio
- Externally Programmable Recovered Audio Level
- Provides Specific Signal for Control of Interchannel Muting (Squelch)
- Provides Specific Signal for Direct Drive of a Tuning Meter
- On Channel Step for Search Control
- Provides Programmable AGC Voltage for RF Amplifier
- Provides a Specific Circuit for Flexible Audio Output
- Internal Supply Voltage Regulators
- Externally Programmable "On" Channel Step Width, and Deviation at Which Muting Occurs

Description

The Harris CA3189E is a monolithic integrated circuit that provides all the functions of a comprehensive FM-IF system. The block diagram of the CA3189E includes a three-stage FM-IF amplifier/limiter configuration with level detectors for each stage, a doubly-balanced quadrature FM detector and an audio amplifier that features the optional use of a muting (squelch) circuit.

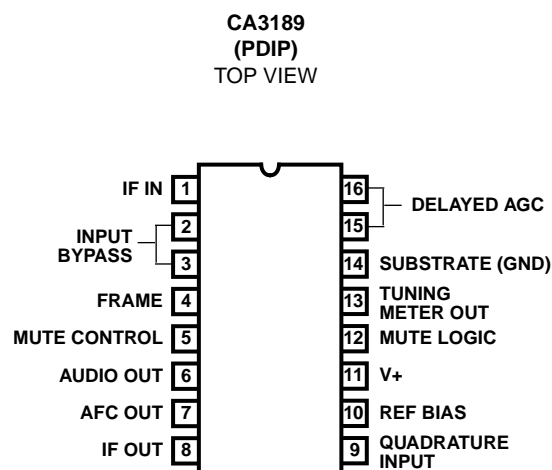
The advanced circuit design of the IF system includes desirable deluxe features such as programmable delayed AGC for the RF tuner, an AFC drive circuit, and an output signal to drive a tuning meter and/or provide stereo switching logic. In addition, internal power-supply regulators maintain a nearly constant current drain over the voltage supply range of $+8.5\text{V}$ to $+16\text{V}$.

The CA3189E is ideal for high-fidelity operation. Distortion in a CA3189E FM-IF System is primarily a function of the phase linearity characteristic of the outboard detector coil. The CA3189E has all the features of the CA3089E plus additions. See CA3189E features compared to the CA3089E in Table 1.

Ordering Information

PART NUMBER	TEMP. RANGE (°C)	PACKAGE	PKG. NO.
CA3189E	-40 to 85	16 Ld PDIP	E16.3

Pinout



CA3189

Absolute Maximum Ratings

DC Supply Voltage	
(Between Terminals 11 and 4)	16V
(Between Terminals 11 and 14)	16V
DC Current (Out of Terminal 15)	2mA

Thermal Information

Thermal Resistance (Typical, Note 1)	θ_{JA} (°C/W)
PDIP Package	90
Maximum Junction Temperature (Plastic Package)	150°C
Maximum Storage Temperature Range	-65°C to 150°C
Maximum Lead Temperature (Soldering 10s)	300°C

Operating Conditions

Temperature Range -40°C to 85°C

CAUTION: Stresses above those listed in "Absolute Maximum Ratings" may cause permanent damage to the device. This is a stress only rating and operation of the device at these or any other conditions above those indicated in the operational sections of this specification is not implied.

NOTE:

- θ_{JA} is measured with the component mounted on an evaluation PC board in free air.

Electrical Specifications $T_A = 25^\circ\text{C}$, $V_+ = 12\text{V}$

PARAMETER	SYMBOL	TEST CONDITIONS	CIRCUIT OR FIG. NO.	MIN	TYP	MAX	UNITS
DC SPECIFICATIONS							
Quiescent Circuit Current	I_{11}	No Signal Input, Non Muted	1, 2	20	31	40	mA
DC Voltages		No Signal Input, Non Muted					
Terminal 1 (IF Input)	V_1		1, 2	1.2	1.9	2.4	V
Terminal 2 (AC Return to Input)	V_2		1, 2	1.2	1.9	2.4	V
Terminal 3 (DC Bias to Input)	V_3		1, 2	1.2	1.9	2.4	V
Terminal 15 (RF AGC)	V_{15}		1, 2	7.5	9.5	11	V
Terminal 10 (DC Reference)	V_{10}		1, 2	5	5.6	6	V
DYNAMIC SPECIFICATIONS							
Input Limiting Voltage (-3dB Point)	$V_{I(lim)}$		1, 2	-	12	25	μV
AM Rejection (Terminal 6)	AMR	$V_{IN} = 0.1\text{V}$, AM Mod. = 30%	1, 2	45	55	-	dB
Recovered AF Voltage (Terminal 6)	$V_{O(AF)}$		1, 2	325	500	650	mV
Total Harmonic Distortion (Note 2)							
Single Tuned (Terminal 6)	THD	$V_{IN} = 0.1\text{V}$	1	-	0.5	1	%
Double Tuned (Terminal 6)	THD		2	-	0.1	-	%
Signal Plus Noise to Noise Ratio (Terminal 6)	S + N/N	$V_{IN} = 0.1\text{V}$	1, 2	65	72	-	dB
Deviation Mute Frequency	f_{DEV}		1, 5, 6	-	± 40	-	kHz
RF AGC Threshold	V_{16}		1, 2	-	1.25	-	V
On Channel Step	V_{12}	$V_{IN} = 0.1\text{V}$					
			1	-	0	-	V
			1	-	5.6	-	V

NOTE:

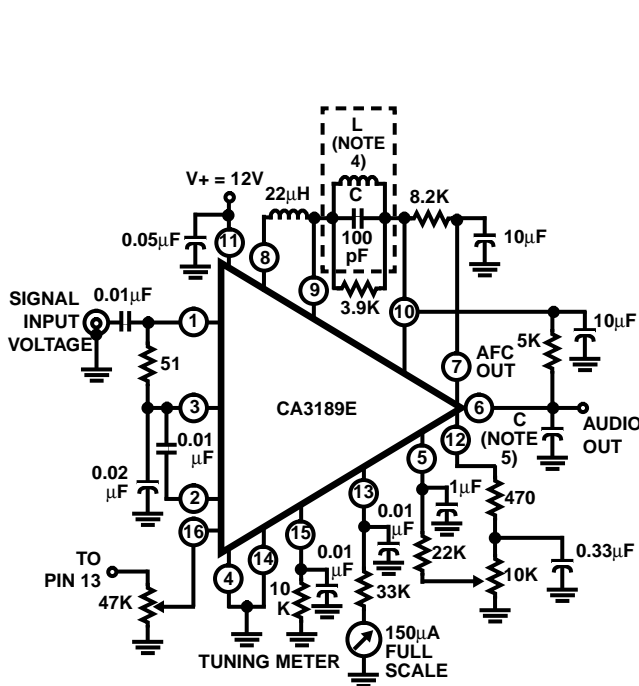
- THD characteristics are essentially a function of the phase characteristics of the network connected between Terminals 8, 9, and 10.

CA3189

TABLE 1. CA3189E FEATURES COMPARED TO CA3089E

FEATURES	CA3189E	CA3089E
Low Limiting Sensitivity (12 μ V Typ)	Yes	Yes
Low Distortion	Yes	Yes
Single-Coil Tuning Capability	Yes	Yes
Programmable Audio Level	Yes	No
S/N Mute	Yes	Yes
Deviation Mute	Yes	No
Flexible AFC	Yes	Yes
Programmable AGC Threshold and Voltage	Yes	No
Typical S + N/N > 70 dB	Yes	No
Meter Drive Voltage Depressed at Very Low Signal Levels	Yes	No
On-Channel Step Control Voltage	Yes	No

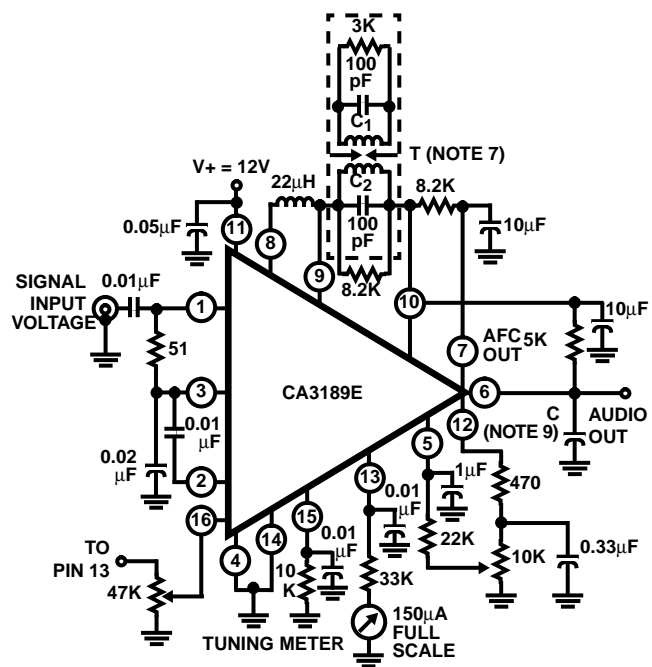
Test Circuits



NOTES:

- All resistance values are in ohms.
- L tunes with 100pF (C) at 10.7MHz. Q_0 (unloaded) \cong 75 (TOKO No. KACS K586HM or equivalent).
- C = 0.01 μ F for 50 μ s deemphasis (Europe).
C = 0.015 μ F for 75 μ s deemphasis (USA).

FIGURE 1. TEST CIRCUIT FOR CA3189E USING A SINGLE-TUNED DETECTOR COIL

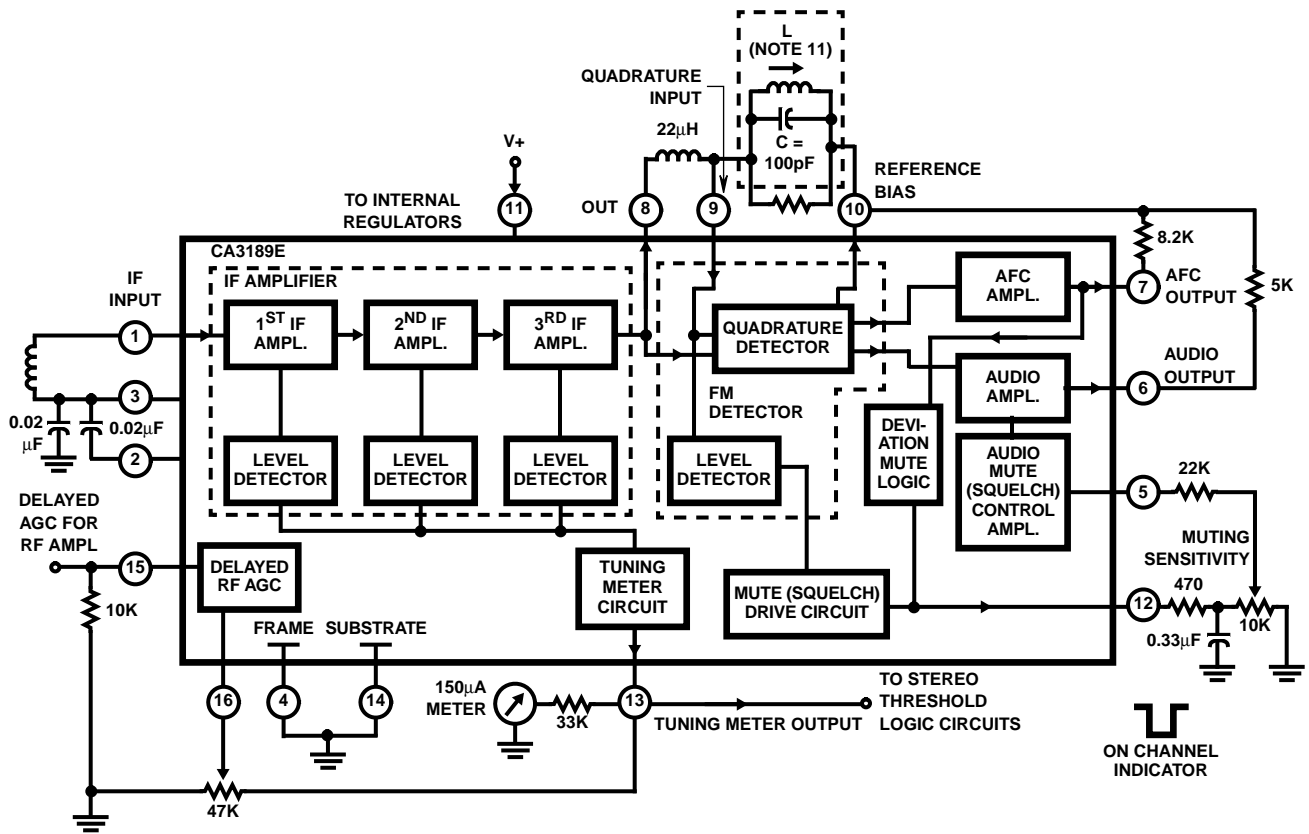


NOTES:

- All resistance values are in ohms.
- T: PRI. - Q_0 (unloaded) \cong 75 (tunes with 100pF (C_1) 20 \uparrow of 34e on $7/32$ " dia. form. SEC. - Q_0 (unloaded) \cong 75 (tunes with 100pF (C_2) 20 \uparrow of 34e on $7/32$ " dia. form. kQ (percent of critical coupling) \cong 70% (Adjusted for coil voltage (V_C) = 150mV).
- Above values permit proper operation of mute (squelch) circuit "E" type slugs, spacing 4mm.
- C = 0.01 μ F for 50 μ s deemphasis (Europe) C = 0.015 μ F for 75 μ s deemphasis (USA).

FIGURE 2. TEST CIRCUIT FOR CA3189E USING A DOUBLE-TUNED DETECTOR COIL

Block Diagram

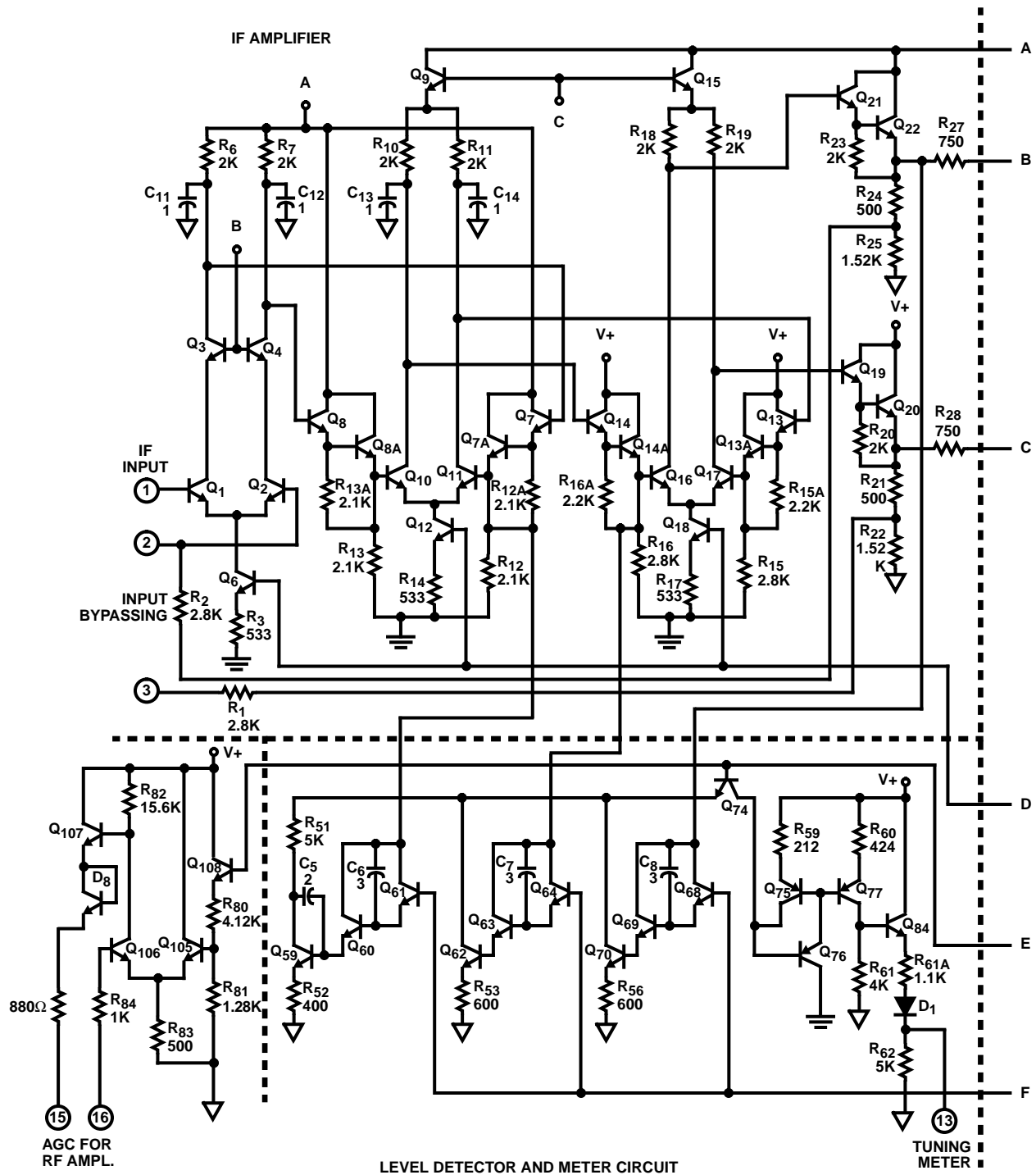


NOTES:

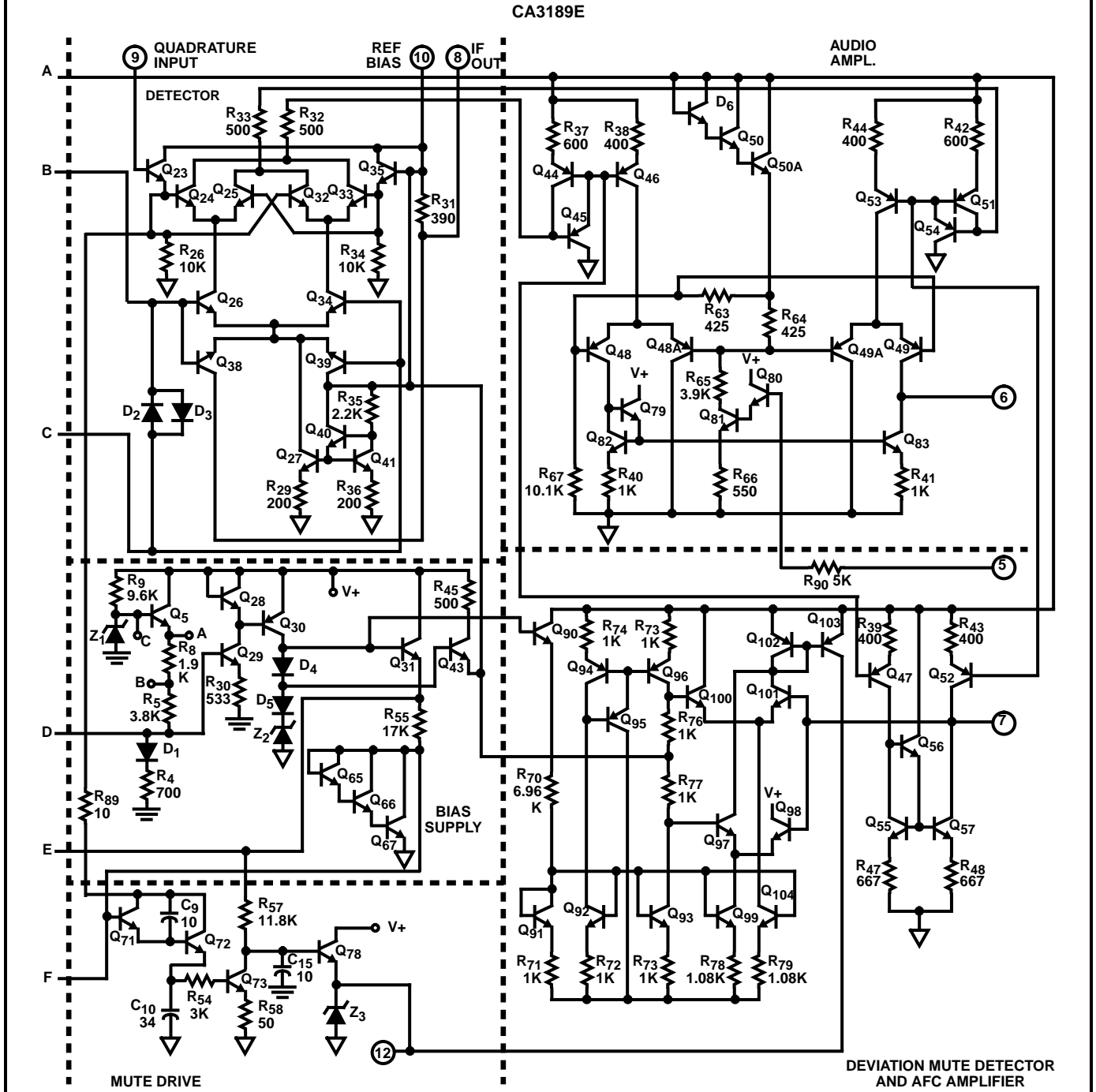
10. All resistance values are in Ω.

11. L Tunes with 100pF (C) at 10.7MHz. $Q_0 \cong 75$ (TOKO No. KACS K586HM or equivalent).

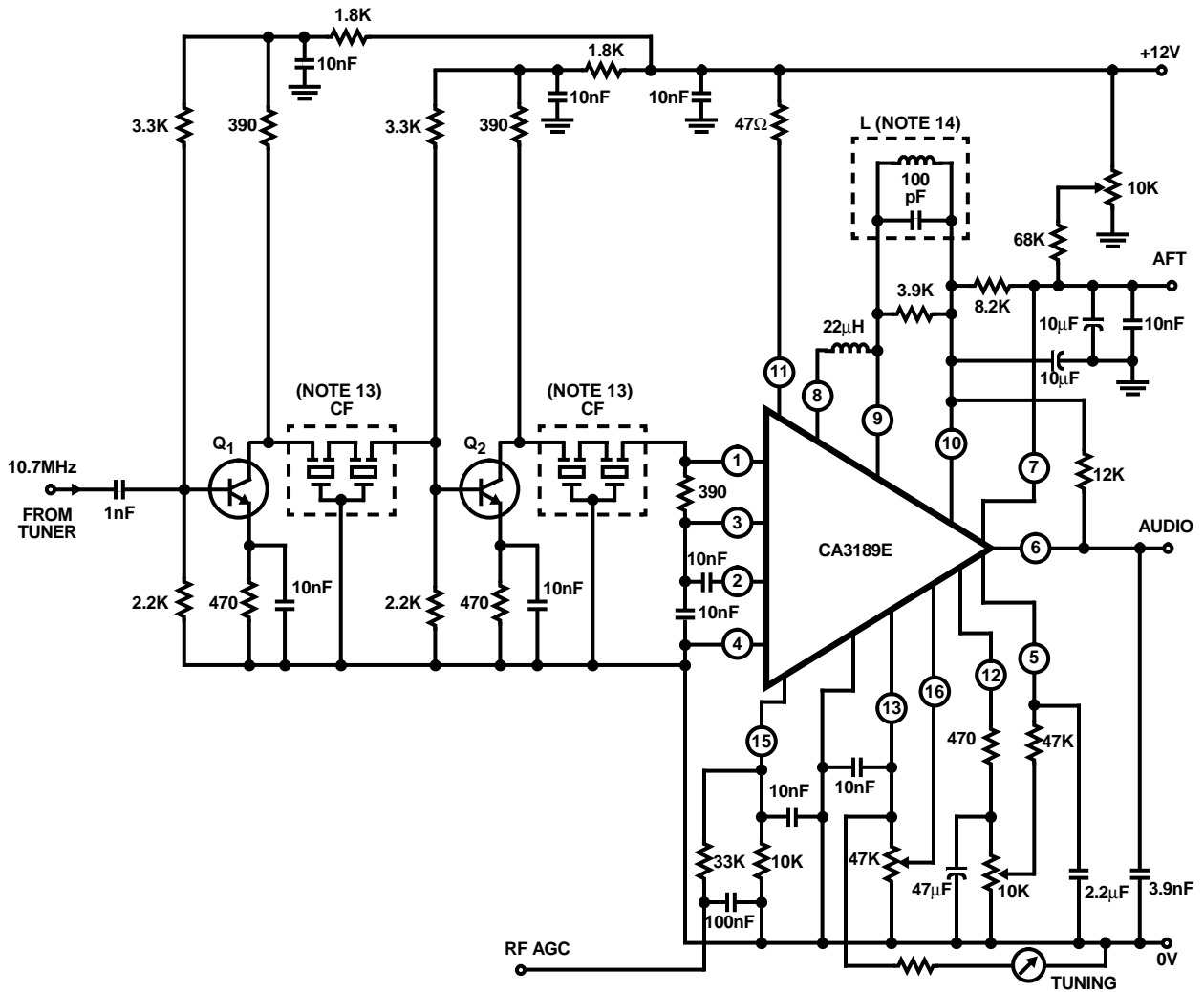
Schematic Diagrams



Schematic Diagrams (Continued)



Typical Application



NOTES:

- 12. All resistance values are in ohms.
- 13. CF: Ceramic filters, TOKO CSFE or equivalent.
- 14. L tunes with 100pF (C) at 10.7MHz. Q_0 (unloaded) \cong 75 (TOKO No. KACS K586HM or equivalent).

FIGURE 3. COMPLETE FM IF SYSTEM FOR HIGH QUALITY RECEIVERS

Typical Performance Curves

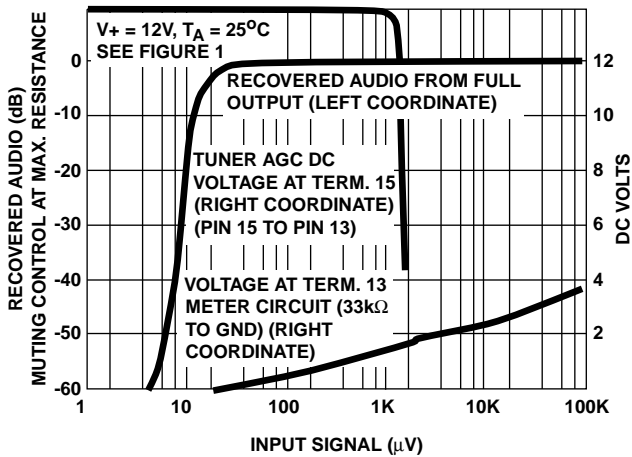


FIGURE 4. MUTING ACTION, TUNER AGC, AND TUNING METER OUTPUT vs INPUT SIGNAL VOLTAGE

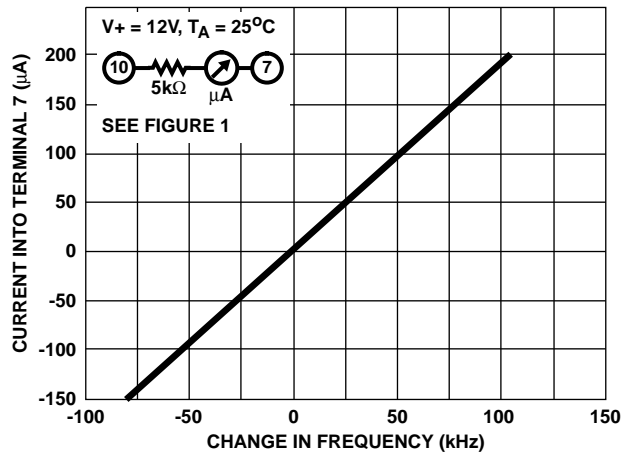


FIGURE 5. AFC CHARACTERISTICS (CURRENT AT TERMINAL 7 vs CHANGE IN FREQUENCY)

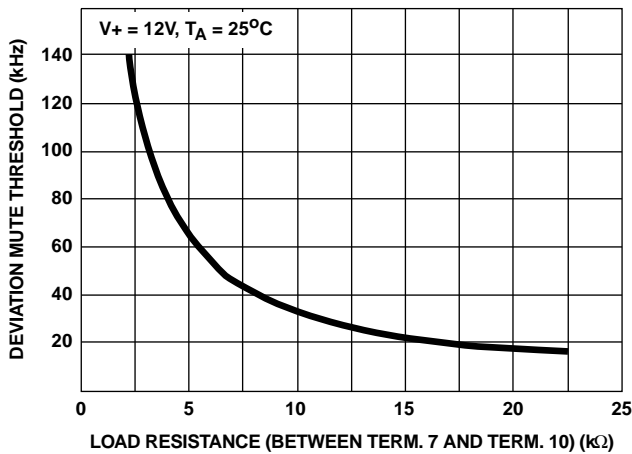


FIGURE 6. DEVIATION MUTE THRESHOLD vs LOAD RESISTANCE (BETWEEN TERMINAL 7 AND TERMINAL 10)

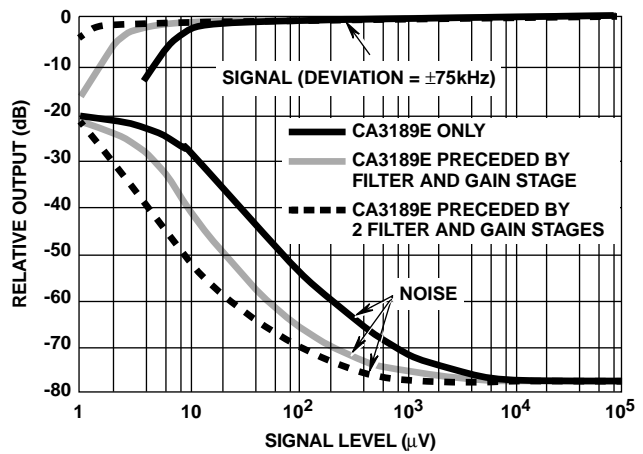


FIGURE 7. TYPICAL LIMITING AND NOISE CHARACTERISTICS

All Harris Semiconductor products are manufactured, assembled and tested under ISO9000 quality systems certification.

Harris Semiconductor products are sold by description only. Harris Semiconductor reserves the right to make changes in circuit design and/or specifications at any time without notice. Accordingly, the reader is cautioned to verify that data sheets are current before placing orders. Information furnished by Harris is believed to be accurate and reliable. However, no responsibility is assumed by Harris or its subsidiaries for its use; nor for any infringements of patents or other rights of third parties which may result from its use. No license is granted by implication or otherwise under any patent or patent rights of Harris or its subsidiaries.

Sales Office Headquarters

For general information regarding Harris Semiconductor and its products, call 1-800-4-HARRIS

NORTH AMERICA
 Harris Semiconductor
 P. O. Box 883, Mail Stop 53-210
 Melbourne, FL 32902
 TEL: 1-800-442-7747
 (407) 729-4984
 FAX: (407) 729-5321

EUROPE
 Harris Semiconductor
 Mercure Center
 100, Rue de la Fusee
 1130 Brussels, Belgium
 TEL: (32) 2.724.2111
 FAX: (32) 2.724.22.05

ASIA
 Harris Semiconductor PTE Ltd.
 No. 1 Tannery Road
 Cencon 1, #09-01
 Singapore 1334
 TEL: (65) 748-4200
 FAX: (65) 748-0400

